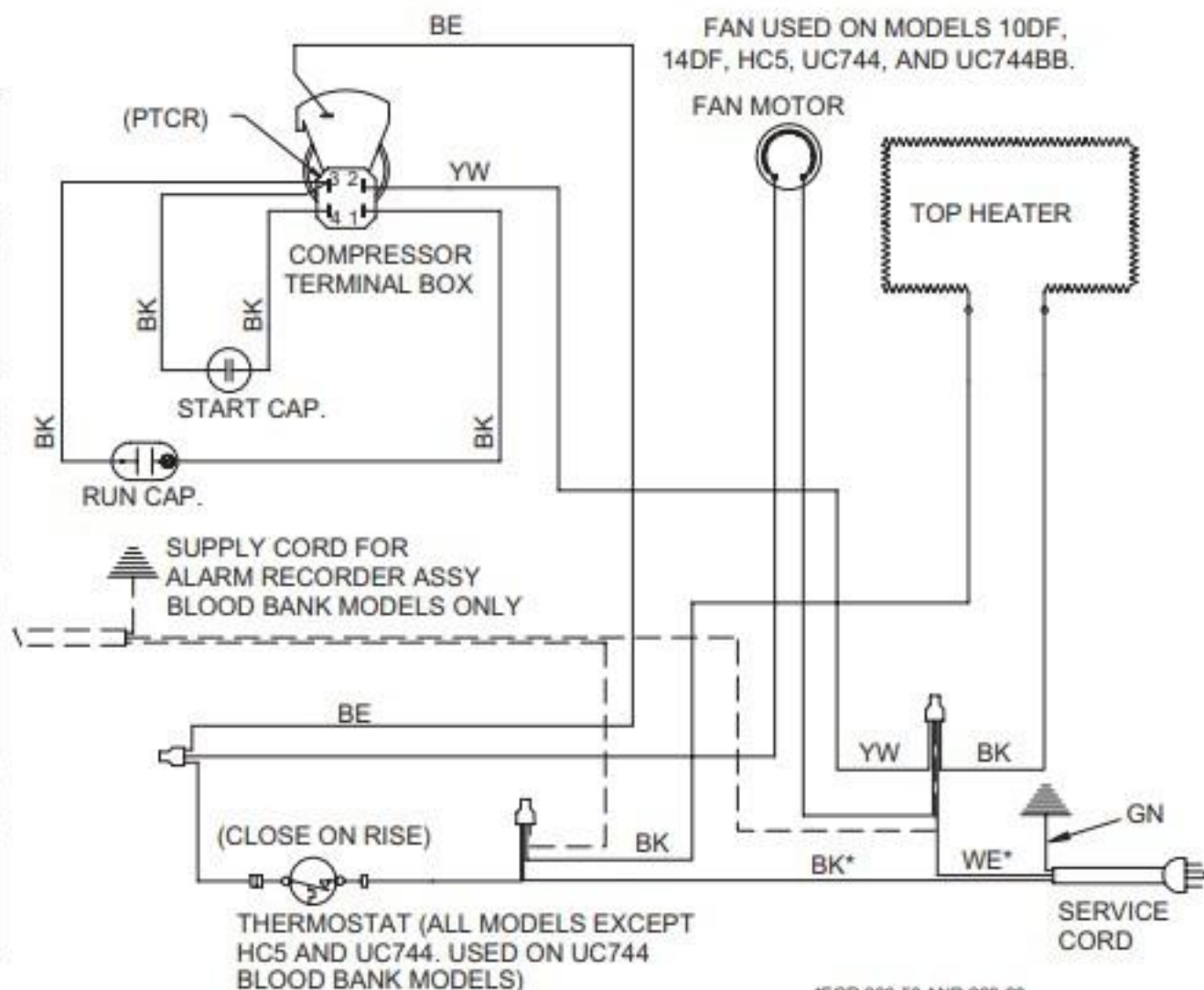


SEE ELECTRICAL RATING
PLATE FOR SUPPLY VOLTAGE
AND FREQUENCY.



NOTE:
CABINET MUST BE GROUNDED.
USE COPPER CONDUCTORS ONLY.