

# VULCAN

## CATALOG OF REPLACEMENT PARTS

### GR SERIES GAS FRYER

<i>MODEL</i>	<i>ML NUMBER</i>
<i>1GRD35</i>	<i>ML-052080</i>
<i>1GRD45</i>	<i>ML-052081</i>
<i>1GRD65</i>	<i>ML-052082</i>
<i>1GRC35</i>	<i>ML-052083</i>
<i>1GRC45</i>	<i>ML-052084</i>
<i>1GRC65</i>	<i>ML-052085</i>
<i>GR25</i>	<i>ML-126988</i>
<i>GR35</i>	<i>ML-126989</i>
<i>GR45</i>	<i>ML-126990</i>
<i>GR65</i>	<i>ML-126991</i>
<i>GR85</i>	<i>ML-126992</i>

#### *PRIOR MLS COVERED IN THIS CATALOG*

<i>1GRS35</i>	<i>ML-052077</i>
<i>1GRS45</i>	<i>ML-052078</i>
<i>1GRS65</i>	<i>ML-052079</i>

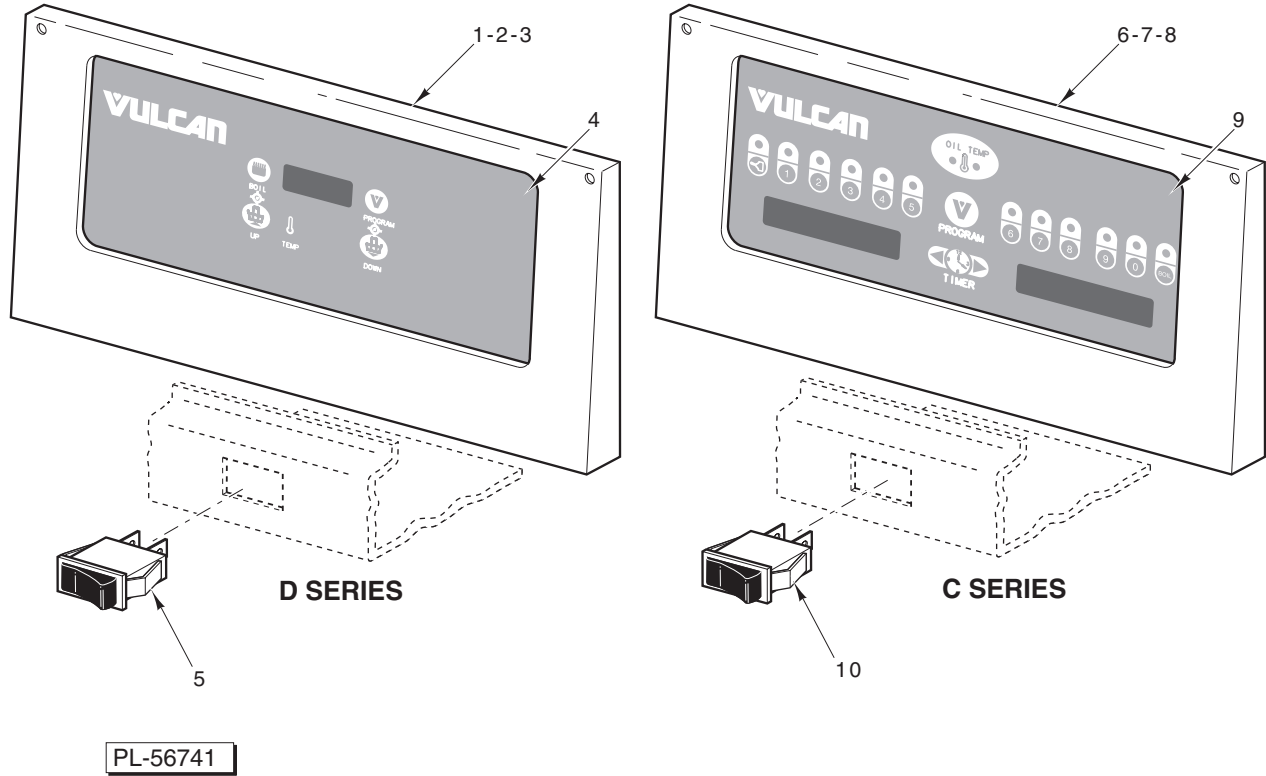


**For additional information on Vulcan-Hart Company or to locate an authorized parts and service provider in your area, visit our website at [www.vulcanhart.com](http://www.vulcanhart.com)**



**Table of Contents**

<b>Page</b>	<b>Description</b>
4	Control Panel (Tridelta) (Current Construction)
5	Control Panel (GRC Series) (Previous Construction)
7	Control Panel (GRS Series)
8	Control Panel (GRS Series W/Basketlift)
11	Control Panel (GRD Series) (Previous Construction)
13	Power Supply Box (Previous Construction)
15	Power Supply Box (Current Construction)
17	Body Unit
19	Body Unit - Left Side and Front (GR Series)
21	Body Unit - Right Side and Back (GR Series)
23	Basketlift Components
24	Burner Components and Tank
27	Burner Components and Gas Manifold (GR Series) (Non-Filter-Ready Units)
29	Burner Components and Gas Manifold (GR Series) (Filter-Ready Units)
31	Gas Inlet Manifold
33	Drain Components
35	Oil Return and Accessories

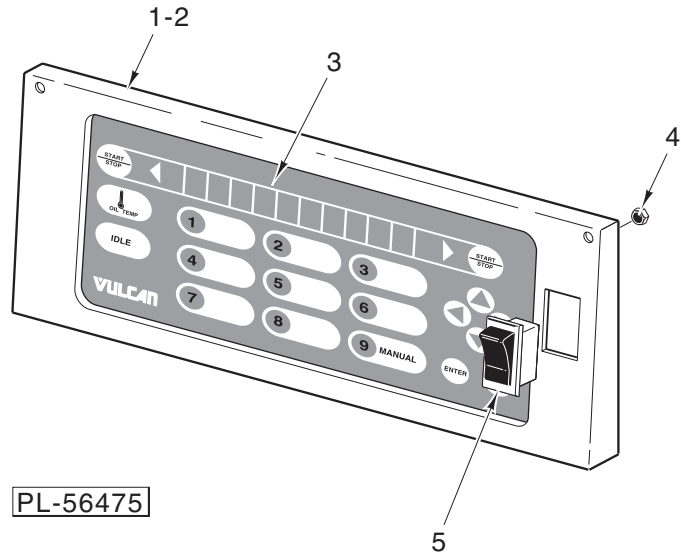


PL-56741

**CONTROL PANEL\* (TRIDELTA)  
(CURRENT CONSTRUCTION)**

ILLUS.	PART NO.	NAME OF PART	AMT.
PL-56741			
1	00-427757-00001	Control Assy. – Solid State .....	1
2	00-426815-000G1	Plate Assy. – Mounting (GRD35 & GRD45) .....	1
3	00-426815-000G2	Plate Assy. – Mounting (GRD65 & GRD85) .....	1
4	00-427820-00001	Overlay – Control Panel .....	1
5	00-427755-000G1	Rocker Switch Assy. ....	1
6	00-427758-00001	Computer Cooking Assy. ....	1
7	00-426815-000G1	Plate Assy. – Mounting (GRC35 & GRC45) .....	1
8	00-426815-000G2	Plate Assy. – Mounting (GRC65 & GRC85) .....	1
9	00-426732-00001	Overlay – Control Panel .....	1
10	00-427755-000G1	Rocker Switch Assy. ....	1
	00-426251-00002	Plug .....	1

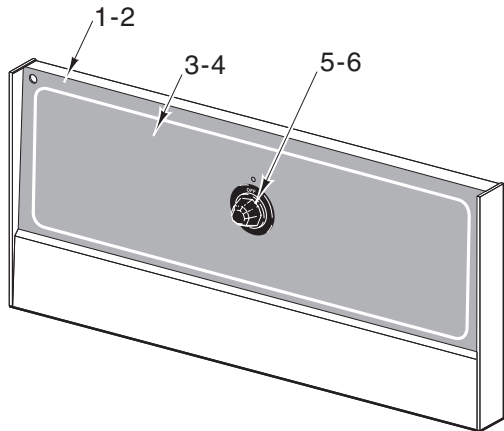
\*Used on fryers built after June 2002.



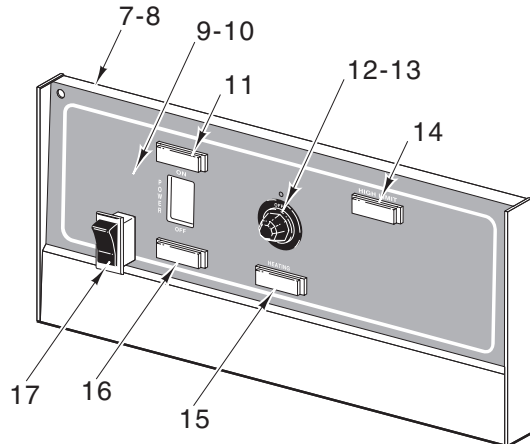
**CONTROL PANEL\* (GRC SERIES)  
(PREVIOUS CONSTRUCTION)**

ILLUS.	PART NO.	NAME OF PART	AMT.
PL-56475			
1	00-419385-000G1	Control Panel (GRC35 & GRC45) .....	1
2	00-419386-000G1	Control Panel (GRC65) .....	1
3	00-419557-00007	Board & Panel Assy. ....	1
4	NS-046-89	Nut Assy. 6-32 Hex KEPS .....	6
5	00-411496-000B8	Switch – Rocker .....	1

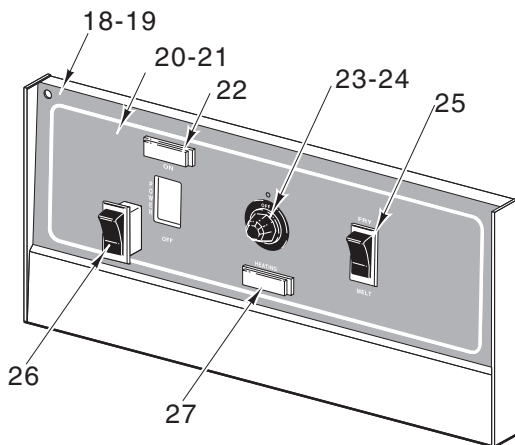
\*Used on fryers built prior to June 2002.



WITH KX THERMOSTAT

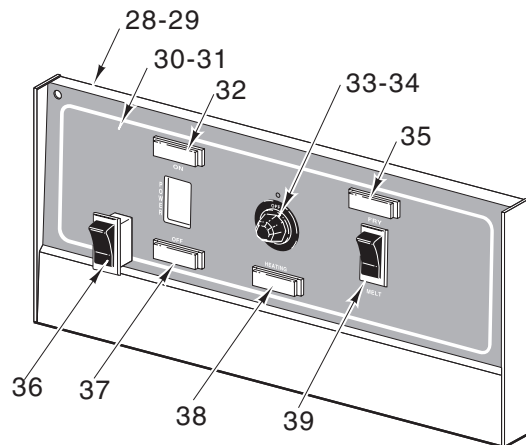


WITH ELECTRONIC IGNITION



WITH MELT CYCLE

PL-50655

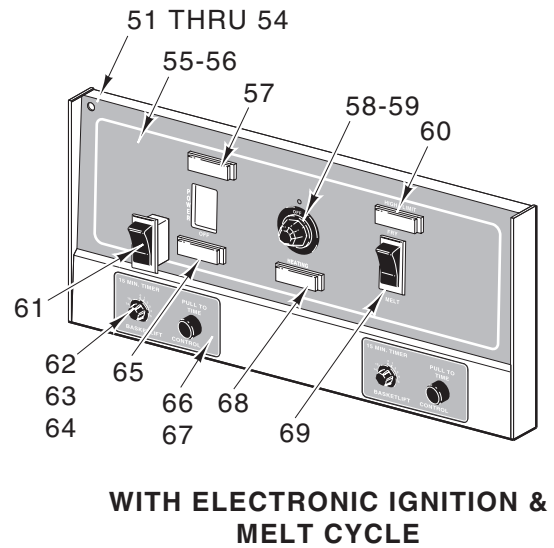
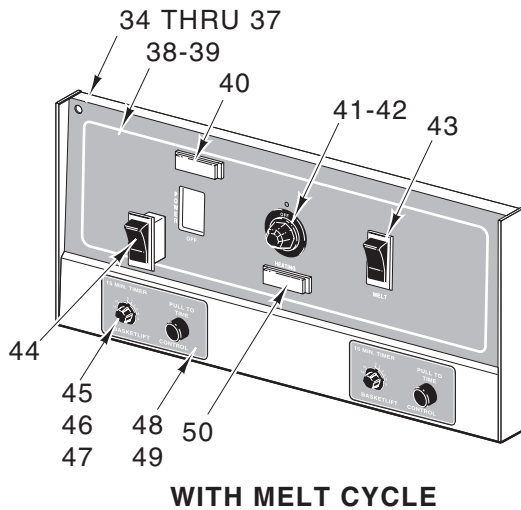
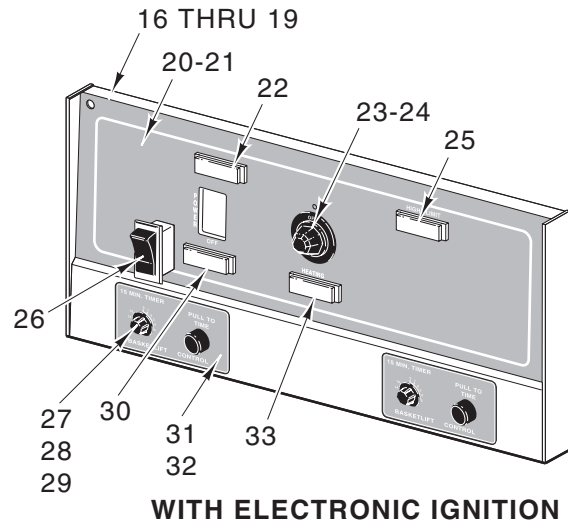
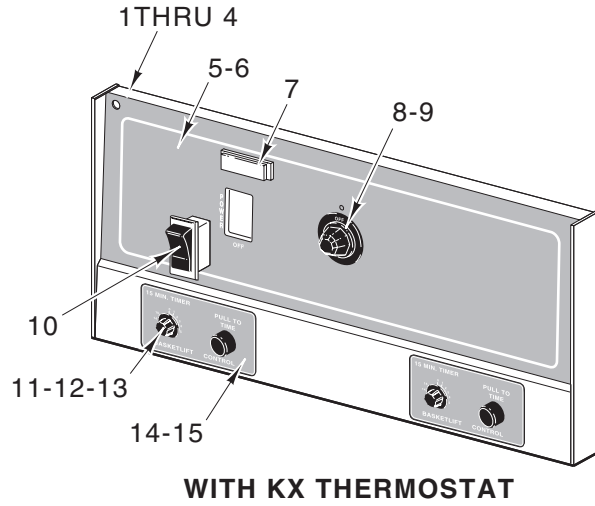


WITH ELECTRONIC IGNITION & MELT CYCLE

**CONTROL PANEL  
(GRS SERIES)**

## CONTROL PANEL (GRS SERIES)

ILLUS. PL-50655	PART NO.	NAME OF PART	AMT.
1	00-418526-000G1	Display Panel Assy. (GRS35 & GRS45) (Complete) .....	1
2	00-418527-000G1	Display Panel Assy. (GRS65) (Complete) .....	1
3	00-418456	Overlay – Control Panel (GRS35 & GRS45) .....	1
4	00-418461	Overlay – Control Panel (GRS65) .....	1
5	00-408659-00006	Knob – Thermostat .....	1
6	00-419999-00002	Thermostat – Millivolt .....	1
7	00-418530-000G1	Display Panel Assy. (GRS35 & GRS45) (Complete) .....	1
8	00-418531-000G1	Display Panel Assy. (GRS65) (Complete) .....	1
9	00-418457	Overlay – Control Panel (GRS35 & GRS45) .....	1
10	00-418463	Overlay – Control Panel (GRS65) .....	1
11	00-411496-000E8	Light – Indicator (Red) .....	1
12	00-408659-00006	Knob – Thermostat .....	1
13	00-419999-00002	Thermostat – Millivolt .....	1
14	00-411496-000E8	Light – Indicator (Red) .....	1
15	00-411496-000E9	Light – Indicator (Amber) (Heat) .....	1
16	00-411496-000E10	Light – Indicator (Trouble) .....	1
17	00-411496-000B1	Switch – Rocker .....	1
18	00-418524-000G1	Display Panel Assy. (GRS35 & GRS45) (Complete) .....	1
19	00-418525-000G1	Display Panel Assy. (GRS65) (Complete) .....	1
20	00-418455	Overlay – Control Panel (GRS35 & GRS45) .....	1
21	00-418460	Overlay – Control Panel (GRS65) .....	1
22	00-411496-000E8	Light – Indicator (Red) .....	1
23	00-408659-00006	Knob – Thermostat .....	1
24	00-419999-00002	Thermostat – Millivolt .....	1
25	00-411496-000B2	Switch – Rocker (DTDP) .....	1
26	00-411496-000B1	Switch – Rocker .....	1
27	00-411496-000E9	Light – Indicator (Amber) (Heat) .....	1
28	00-418258-000G1	Display Panel – (GRS35 & GRS45) (Complete) .....	1
29	00-418529-000G9	Display Panel – (GRS65) (Complete) .....	1
30	00-418454	Overlay – Control Panel (GRS35 & GRS45) .....	1
31	00-418462	Overlay – Control Panel (GRS65) .....	1
32	00-411496-000E8	Light – Indicator (Red) .....	1
33	00-408659-00006	Knob – Thermostat .....	1
34	00-419999-00002	Thermostat – Millivolt .....	1
35	00-411496-000E8	Light – Indicator (Red) .....	1
36	00-411496-000B1	Switch – Rocker .....	1
37	00-411496-000E10	Light – Indicator (Trouble) .....	1
38	00-411496-000E9	Light – Indicator (Amber) (Heat) .....	1
39	00-411496-000B2	Switch – Rocker (DTDP) .....	1
	00-416535-00004	Relay SPDT 24 V. Coil (Electronic Ignition) (Located on Rear of Panel) .....	1
	NS-009-07	Mach. Nut 6-32 Hex (Use With Relay) .....	2
	WL-003-09	Lockwasher #6 (Use With Relay) .....	2
	00-414247-00007	Timer – Melt Cycle (Solid State) (Located on Rear of Panel) .....	1
	NS-046-52	Nut Assy. 1/4-20 KEPS (Use With Timer) .....	1



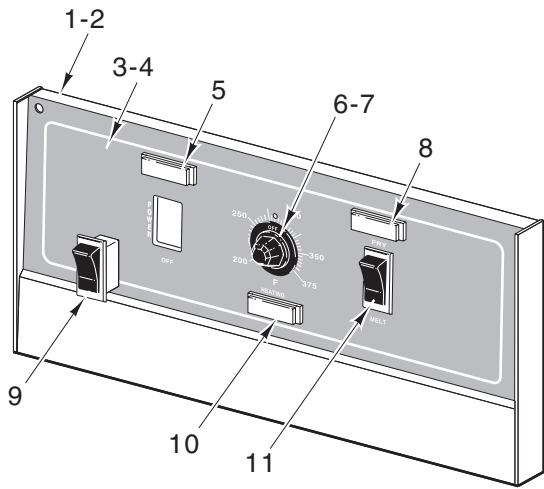
PL-56474

**CONTROL PANEL  
(GRS SERIES W/BASKETLIFT)**

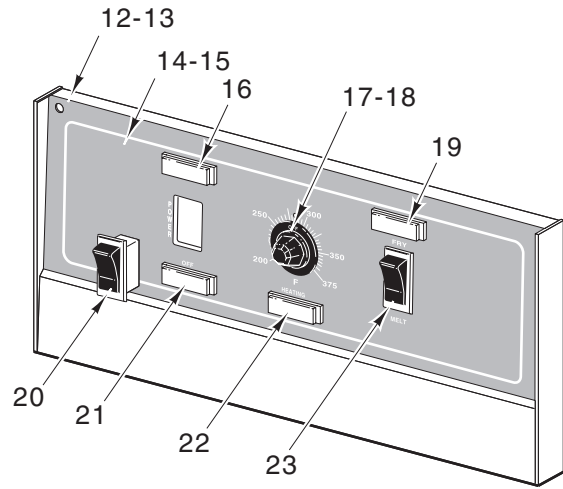
ILLUS.	PART NO.	NAME OF PART	AMT.
1	00-418532-000G1	Display Panel Assy. (GRS35 & GRS45) (1 Basketlift) (Complete) .....	1
2	00-418532-000G2	Display Panel Assy. (GRS35 & GRS45) (2 Basketlift) (Complete) .....	1
3	00-418533-000G1	Display Panel (GRS65) (1 Basketlift) (Complete) .....	1
4	00-418533-000G2	Display Panel (GRS65) (2 Basketlift) (Complete) .....	1
5	00-418458	Overlay – Control Panel (GRS35 & GRS45) .....	1
6	00-418464	Overlay – Control Panel (GRS65) .....	1
7	00-411496-000E8	Light – Indicator (Red) .....	1
8	00-408659-00006	Knob – Thermostat .....	1
9	00-419999-00002	Thermostat – Millivolt .....	1
10	00-411496-000B1	Switch – Rocker .....	1
11	00-415269-00001	Knob – Basketlift Timer .....	AR

## CONTROL PANEL (GRS SERIES W/BASKETLIFT) (Cont.)

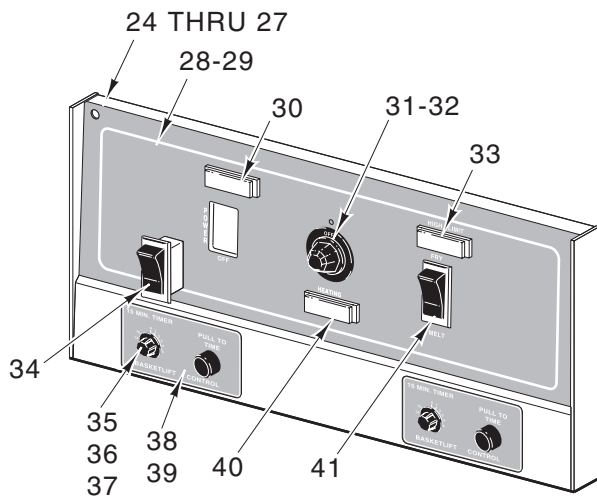
ILLUS. PL-56474	PART NO.	NAME OF PART	AMT.
12	00-415254-00002	Timer – Basketlift (Solid State) (15 Min.) .....	AR
13	00-415254-00003	Timer – Basketlift (7 Min.) .....	1
14	00-415255-00001	Overlay – Basketlift (15 Min.) .....	1
15	00-415255-00003	Overlay – Basketlift (7 Min.) .....	1
16	00-419377-000G1	Display Panel Assy. (GRS35 & GRS45) (1 Basketlift) (Complete) .....	1
17	00-419377-000G2	Display Panel Assy. (GRS35 & GRS45) (2 Basketlift) (Complete) .....	1
18	00-419378-000G1	Display Panel Assy. (GRS65) (1 Basketlift) (Complete) .....	1
19	00-419378-000G2	Display Panel Assy. (GRS65) (1 Basketlift) (Complete) .....	1
20	00-418457	Overlay – Control Panel (GRS35 & GRS45) .....	1
21	00-418463	Overlay – Control Panel (GRS65) .....	1
22	00-411496-000E8	Light – Indicator (Red) .....	1
23	00-408659-00006	Knob – Thermostat .....	1
24	00-419999-00002	Thermostat – Millivolt .....	1
25	00-411496-000E8	Light – Indicator (Red) .....	1
26	00-411496-000B1	Switch – Rocker .....	1
27	00-415269-00001	Knob – Basketlift Timer .....	AR
28	00-415254-00002	Timer – Basketlift (Solid State) (15 Min.) .....	AR
29	00-415254-00003	Timer – Basketlift (7 Min.) .....	1
30	00-411496-00E10	Light – Indicator (Trouble) .....	1
31	00-415255-00001	Overlay – Basketlift (15 Min.) .....	1
32	00-415255-00003	Overlay – Basketlift (7 Min.) .....	1
33	00-411496-000E9	Light – Indicator (Amber) (Heat) .....	1
34	00-418550-000G1	Display Panel Assy. (GRS35 & GRS45) (1 Basketlift) (Complete) .....	1
35	00-418550-000G2	Display Panel Assy. (GRS35 & GRS45) (2 Basketlift) (Complete) .....	1
36	00-418560-000G1	Display Panel (GRS65) (1 Basketlift) (Complete) .....	1
37	00-418560-000G2	Display Panel (GRS65) (2 Basketlift) (Complete) .....	1
38	00-418455	Overlay – Control Panel (GRS35 & GRS45) .....	1
39	00-418460	Overlay – Control Panel (GRS65) .....	1
40	00-411496-000E8	Light – Indicator (Red) .....	1
41	00-408659-00006	Knob – Thermostat .....	1
42	00-419999-00002	Thermostat – Millivolt .....	1
43	00-411496-000B2	Switch – Rocker (DTDP) .....	1
44	00-411496-000B1	Switch – Rocker .....	1
45	00-415269-00001	Knob – Basketlift Timer .....	1
46	00-415254-00002	Timer – Basketlift (Solid State) (15 Min.) .....	1
47	00-415254-00003	Timer – Basketlift (7 Min.) .....	1
48	00-415255-00001	Overlay – Basketlift (15 Min.) .....	1
49	00-415255-00003	Overlay – Basketlift (7 Min.) .....	1
50	00-411496-000E9	Light – Indicator (Amber) (Heat) .....	1
51	00-418545-000G1	Display Panel Assy. (GRS35 & GRS45) (1 Basketlift) (Complete) .....	1
52	00-418545-000G2	Display Panel Assy. (GRS35 & GRS45) (2 Basketlift) (Complete) .....	1
53	00-418546-000G1	Display Panel (GRS65) (1 Basketlift) (Complete) .....	1
54	00-418546-000G2	Display Panel (GRS65) (2 Basketlift) (Complete) .....	1
55	00-418454	Overlay – Control Panel (GRS35 & GRS45) .....	1
56	00-418462	Overlay – Control Panel (GRS65) .....	1
57	00-411496-000E8	Light – Indicator (Red) .....	1
58	00-408659-00006	Knob – Thermostat .....	1
59	00-419999-00002	Thermostat – Millivolt .....	1
60	00-411496-000E8	Light – Indicator (Red) .....	1
61	00-411496-000B1	Switch – Rocker .....	1
62	00-415269-00001	Knob – Basketlift Timer .....	1
63	00-415254-00002	Timer – Basketlift (Solid State) (15 Min.) .....	1
64	00-415254-00003	Timer – Basketlift (7 Min.) .....	1
65	00-411496-00E10	Light – Indicator (Trouble) .....	1
66	00-415255-00001	Overlay – Basketlift (15 Min.) .....	1
67	00-415255-00003	Overlay – Basketlift (7 Min.) .....	1
68	00-411496-000E9	Light – Indicator (Amber) (Heat) .....	1
69	00-411496-000B2	Switch – Rocker (DTDP) .....	1
	00-416535-00004	Relay SPDT 24 V. Coil (Electronic Ignition) (Located on Rear of Panel) .....	1
	NS-009-07	Mach. Nut 6-32 Hex (Use With Relay) .....	2
	WL-003-09	Lockwasher #6 (Use With Relay) .....	2
	00-414247-00007	Timer – Melt Cycle (Solid State) (Located on Rear of Panel) .....	1
	NS-046-52	Nut Assy. 1/4"-20 KEPS (Use With Timer) .....	1



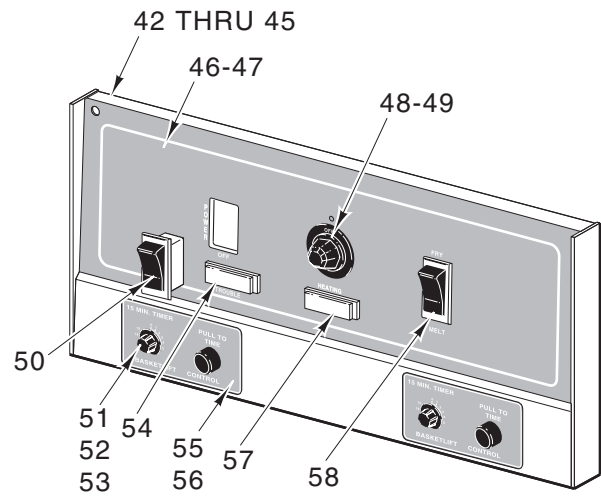
WITHOUT ELECTRONIC IGNITION



WITH ELECTRONIC IGNITION



WITHOUT ELECTRONIC IGNITION,  
WITH BASKETLIFT



WITH ELECTRONIC IGNITION,  
WITH BASKETLIFT

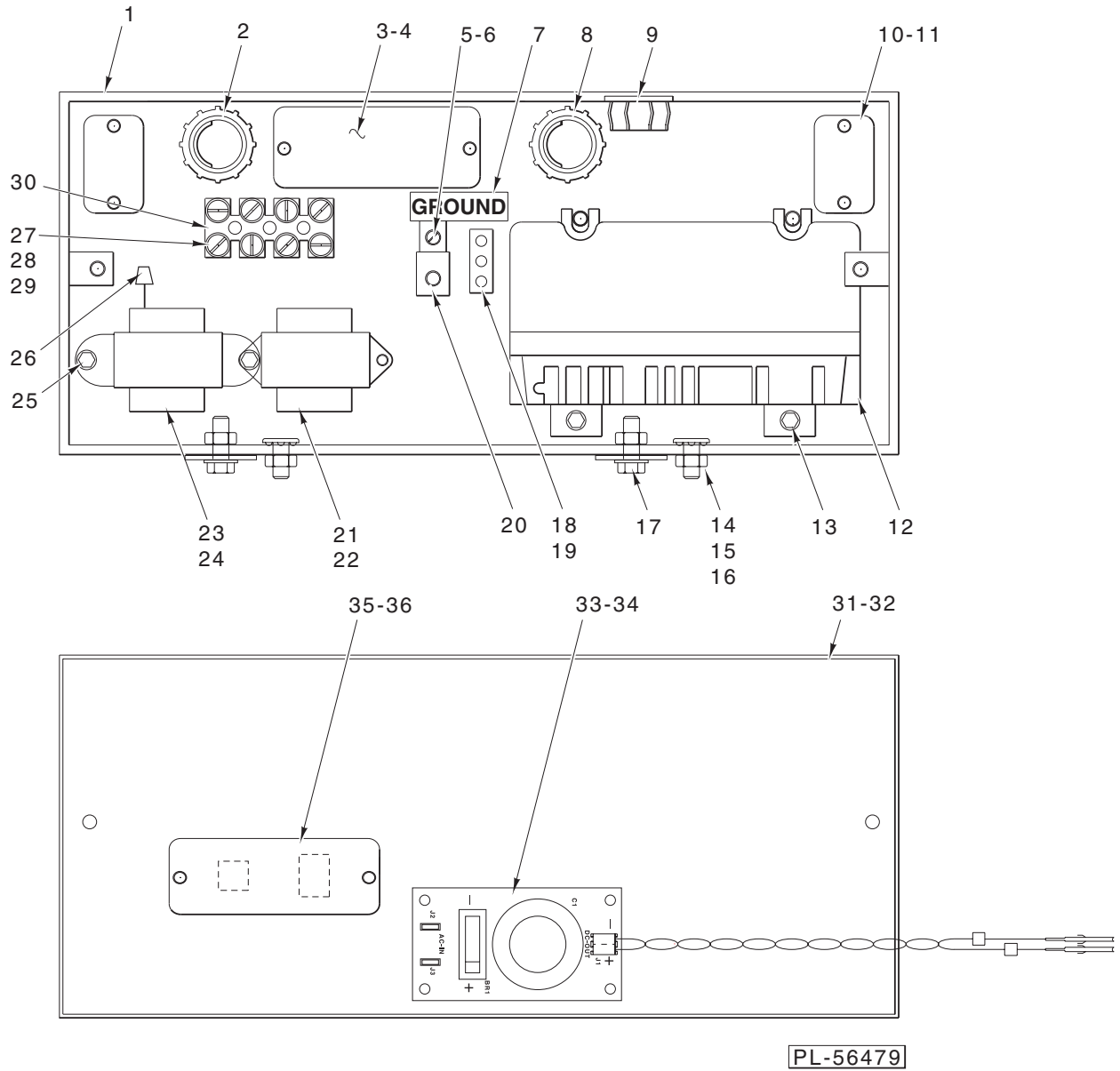
PL-56473

**CONTROL PANEL\* (GRD SERIES)  
(PREVIOUS CONSTRUCTION)**

## CONTROL PANEL\* (GRD SERIES) (PREVIOUS CONSTRUCTION)

ILLUS. PL-56473	PART NO.	NAME OF PART	AMT.
1	00-418395-000G1	Display Panel Assy. (GRD35 & GRD45) (Complete) .....	1
2	00-418398-000G1	Display Panel Assy. (GRD65) (Complete) .....	1
3	00-418386-00001	Overlay – Control Panel (GRD35 & GRD45) .....	1
4	00-418389-00001	Overlay – Control Panel (GRD65) .....	1
5	00-411496-000E8	Light – Indicator (Red) .....	1
6	00-414254-00001	Knob – Potentiometer .....	1
7	00-415638-000G1	Potentiometer .....	1
8	00-411496-000E8	Light – Indicator (Red) .....	1
9	00-411496-000B1	Switch – Rocker .....	1
10	00-411496-000E9	Light – Indicator (Amber) (Heat) .....	1
11	00-411496-000B7	Switch – Rocker .....	1
12	00-418396-000G1	Display Panel (GRD35 & GRD45) (Complete) .....	1
13	00-418397-000G1	Display Panel (GRD65) (Complete) .....	1
14	00-418387-00001	Overlay – Control Panel (GRD35 & GRD45) .....	1
15	00-418388-00001	Overlay – Control Panel (GRD65) .....	1
16	00-411496-000E8	Light – Indicator (Red) .....	1
17	00-414254-00001	Knob – Potentiometer .....	1
18	00-415638-000G1	Potentiometer .....	1
19	00-411496-000E8	Light – Indicator (Red) .....	1
20	00-411496-000B1	Switch – Rocker .....	1
21	00-411496-00E10	Light – Indicator (Trouble) .....	1
22	00-411496-000E9	Light – Indicator (Amber) (Heat) .....	1
23	00-411496-000B7	Switch – Rocker .....	1
24	00-418405-000G1	Display Panel Assy. (GRD35 & GRD45) (1 Basketlift) (Complete) .....	1
25	00-418405-000G2	Display Panel Assy. (GRD35 & GRD45) (2 Basketlift) (Complete) .....	1
26	00-418406-000G1	Display Panel (GRD65) (1 Basketlift) (Complete) .....	1
27	00-418406-000G2	Display Panel (GRD65) (2 Basketlift) (Complete) .....	1
28	00-418386-00001	Overlay – Control Panel (GRD35 & GRD45) .....	1
29	00-418389-00001	Overlay – Control Panel (GRD65) .....	1
30	00-411496-000E8	Light – Indicator (Red) .....	1
31	00-414254-00001	Knob – Potentiometer .....	1
32	00-415638-000G1	Potentiometer .....	1
33	00-411496-000E8	Light – Indicator (Red) .....	1
34	00-411496-000B1	Switch – Rocker .....	1
35	00-415254-00002	Timer – Basketlift (Solid State) (15 Min.) .....	AR
36	00-415254-00003	Timer – Basketlift (7 Min.) .....	1
37	00-415269-00001	Knob – Basketlift Timer .....	1
38	00-415255-00001	Overlay – Basketlift (15 Min.) .....	AR
39	00-415255-00003	Overlay – Control Panel (7 Min.) .....	1
40	00-411496-000E9	Light – Indicator (Amber) (Heat) .....	1
41	00-411496-000B7	Switch – Rocker .....	1
42	00-418407-000G1	Display Panel Assy. (GRD35 & GRD45) (1 Basketlift) (Complete) .....	1
43	00-418407-000G2	Display Panel Assy. (GRD65) (2 Basketlift) (Complete) .....	1
44	00-418408-000G1	Display Panel (GRD65) (1 Basketlift) (Complete) .....	1
45	00-418408-00G10	Display Panel (GRD65) (2 Basketlift) (Complete) .....	1
46	00-418387-00001	Overlay – Control Panel (GRD35 & GRD45) .....	1
47	00-418388-00001	Overlay – Control Panel (GRD65) .....	1
48	00-414254-00001	Knob – Potentiometer .....	1
49	00-415638-000G1	Potentiometer .....	1
50	00-411496-000B1	Switch – Rocker .....	1
51	00-415254-00002	Timer – Basketlift (Solid State) (15 Min.) .....	1
52	00-415254-00003	Timer – Basketlift (7 Min.) .....	1
53	00-415269-00001	Knob – Basketlift Timer .....	1
54	00-411496-00E10	Light – Indicator (Trouble) .....	1
55	00-415255-00001	Overlay – Basketlift (15 Min.) .....	AR
56	00-415255-00003	Overlay – Control Panel (7 Min.) .....	1
57	00-411496-000E8	Light – Indicator (Red) .....	1
58	00-411496-000B7	Switch – Rocker .....	1

\*Used on fryers built prior to June 2002



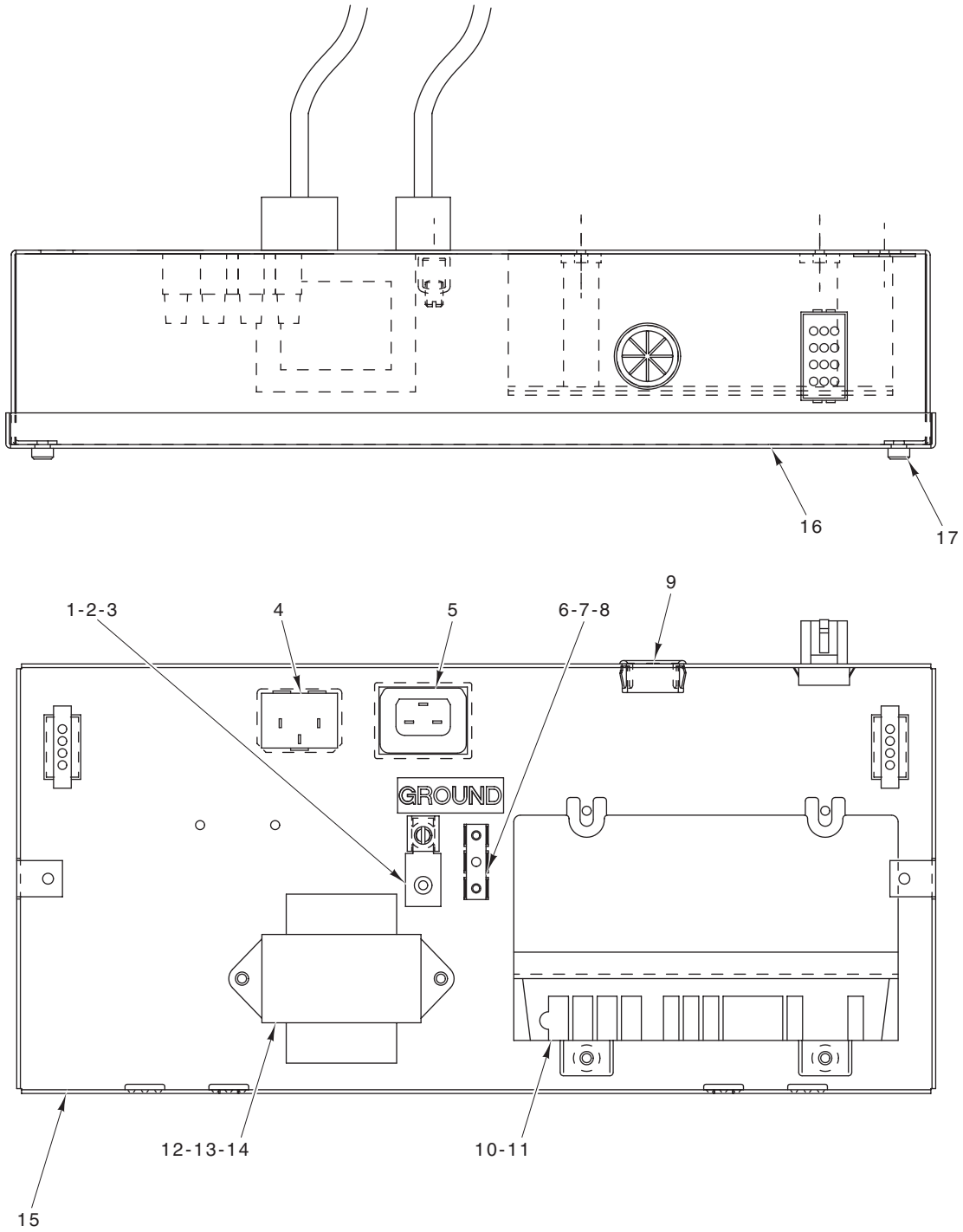
**POWER SUPPLY BOX  
(PREVIOUS CONSTRUCTION)**

**POWER SUPPLY BOX\***  
**(PREVIOUS CONSTRUCTION)**

ILLUS. PL-56479	PART NO.	NAME OF PART	AMT.
1	00-419302-000G1	Box – Power Supply .....	1
**2	FE-024-24	Bushing – Elect. Snap .....	1
3	00-419375-00003	Cover – Plate .....	1
4	SC-060-23	Mach. Screw 4-40 x 1/4 Slotted Rd. Hd. ....	2
5	SD-036-03	Self-Tapping Screw 8-18 x 3/8 Slotted Hex Washer Hd., Type AB .....	1
6	WL-004-40	Lockwasher #10 .....	1
7	FE-024-24	Bushing – Elect. Snap .....	1
8	FE-024-28	Bushing .....	AR
9	00-419375-00001	Cover – Plate .....	2
10	SC-060-23	Mach. Screw 4-40 x 1/4 Slotted Rd. Hd. ....	2
11	FE-024-24	Bushing – Elect. Snap .....	1
12	00-417980-00001	Ignitor Module (Honeywell) (Electronic Ignition) .....	1
13	SD-037-49	Self-Tapping Screw 8-18 x 1/2 Hex Washer Hd., Type AB .....	4
14	00-419580	Bracket – Power Supply Mounting (W/O E.I. / W/M.F.) .....	1
15	00-419580-00002	Bracket – Power Supply Mounting .....	1
16	SC-113-90	Mach. Screw 1/4-20 x 3/4 Slotted Hex Washer Hd. (Use With Item 14) .....	2
17	NS-047-72	Lock Nut Special 1/4-20 Flexloc (Use W/419580) .....	2
18	SC-060-23	Mach. Screw 4-40 x 1/4 Slotted Rd. Hd. ....	2
19	00-419317	Terminal Ground .....	1
20	00-417856-00001	Lug – Grounding (With Set Screw) .....	1
21	00-411500-00012	Transformer (120 V.) .....	1
22	00-411500-00013	Transformer (208/240 V.) .....	1
23	00-419572-000G1	Transformer 12 V. (GRC Series, 120 V.) .....	1
24	00-419572-000G2	Transformer 12 V. (GRC Series, 208/240 V.) .....	1
25	SD-036-03	Self-Tapping Screw 8-18 x 3/8 Slotted Hex Washer Hd., Type AB .....	3
26	FE-006-29	Wire Nut (Use With Item 23) .....	4
27	SC-119-90	Mach. Screw 6-32 x 1 Slotted Pan Hd. ....	2
28	WL-004-40	Lockwasher #10 .....	2
29	NS-009-07	Mach. Nut Hex .....	2
30	00-414208-00002	Barrier – Terminal .....	1
31	00-419301-00002	Cover – Power Supply Box .....	1
32	SD-037-07	Self-Tapping Screw 10-16 x 2 Hex Washer Hd., Type AB .....	2
33	00-419574-000G1	Board – Assy. Power Supply .....	1
34	NS-046-89	Nut Assy. 6-32 KEPS .....	4
35	00-419375-00002	Cover – Plate .....	1
36	SC-060-23	Mach. Screw 4-40 x 1/4 Slotted Rd. Hd. ....	2
	00-419315	Power Cord (W/O Electronic Ignition) .....	1
	00-421363-00002	Power Cord (W/Electronic Ignition) .....	1
	00-421363-00003	Power Cord (W/Electronic Ignition & Fat Melt Cycle) .....	1
	00-419359	Cable – Ignition .....	1
	00-419332-000G1	Harness – Power (GRC & GRS Series W/Electronic Ignition) .....	1
	00-419360-000G1	Harness – Power (GRD Series W/Electronic Ignition) .....	1
	00-419333-000G1	Harness – Power (GRC & GRS Series W/O Electronic Ignition) .....	1
	00-419361-000G1	Harness – Power (GRD Series W/O Electronic Ignition) .....	1

\*Used on fryers built prior to June 2002.

\*\*FE-024-24 (Bushings) will be replaced by FE-023-37 (Connector Conduit) when unit is filter ready and/or in a battery.



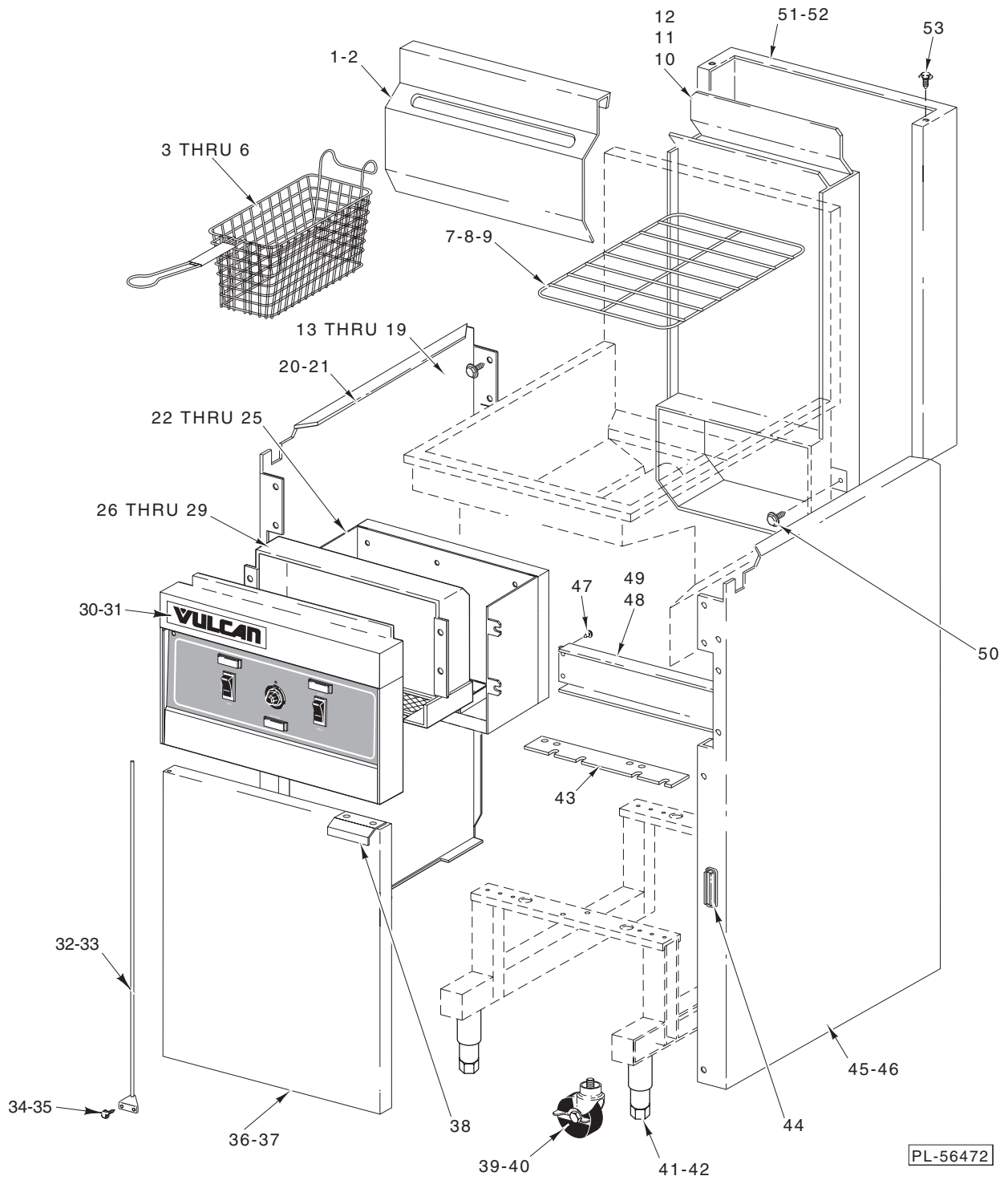
PL-56817

**POWER SUPPLY BOX  
(CURRENT CONSTRUCTION)**

**POWER SUPPLY BOX\***  
**(CURRENT CONSTRUCTION)**

ILLUS. PL-56817	PART NO.	NAME OF PART	AMT.
1	SD-036-03	Self-Tapping Screw 8-18 x <sup>3</sup> / <sub>8</sub> Slotted Hex Hd., Type AB .....	1
2	WL-004-40	Lockwasher #10 Helical .....	1
3	00-417856-00001	Lug – Ground .....	1
4	00-419973-000G1	Plug – Male .....	1
5	00-419973-000G2	Plug – Female .....	1
6	SC-060-23	Mach. Screw 4-40 x <sup>1</sup> / <sub>4</sub> Slotted Rd. Hd. ....	1
7	NS-047-32	Lock Nut SP 4-40 .....	1
8	00-419317	Terminal .....	1
9	FE-024-28	Cord – Restraint .....	1
10	00-417980-00001	Module – Ignition (E.I. Only) .....	1
11	SD-037-49	Self-Tapping Screw 8-18 x <sup>1</sup> / <sub>2</sub> Hex Hd., Type AB .....	4
12	00-411500-00013	Transformer (240 V.) .....	1
13	00-411500-00012	Transformer (120 V.) .....	1
14	SD-036-03	Self-Tapping Screw 8-18 x <sup>3</sup> / <sub>8</sub> Slotted Hex Hd., Type AB .....	2
15	00-427814-000G1	Box – Power Supply .....	1
16	00-427815-00001	Lid .....	1
17	SD-037-07	Self-Tapping Screw 10-16 x 2 Hex Washer He., Type AB .....	2

\*Used on fryers built after June 2002.

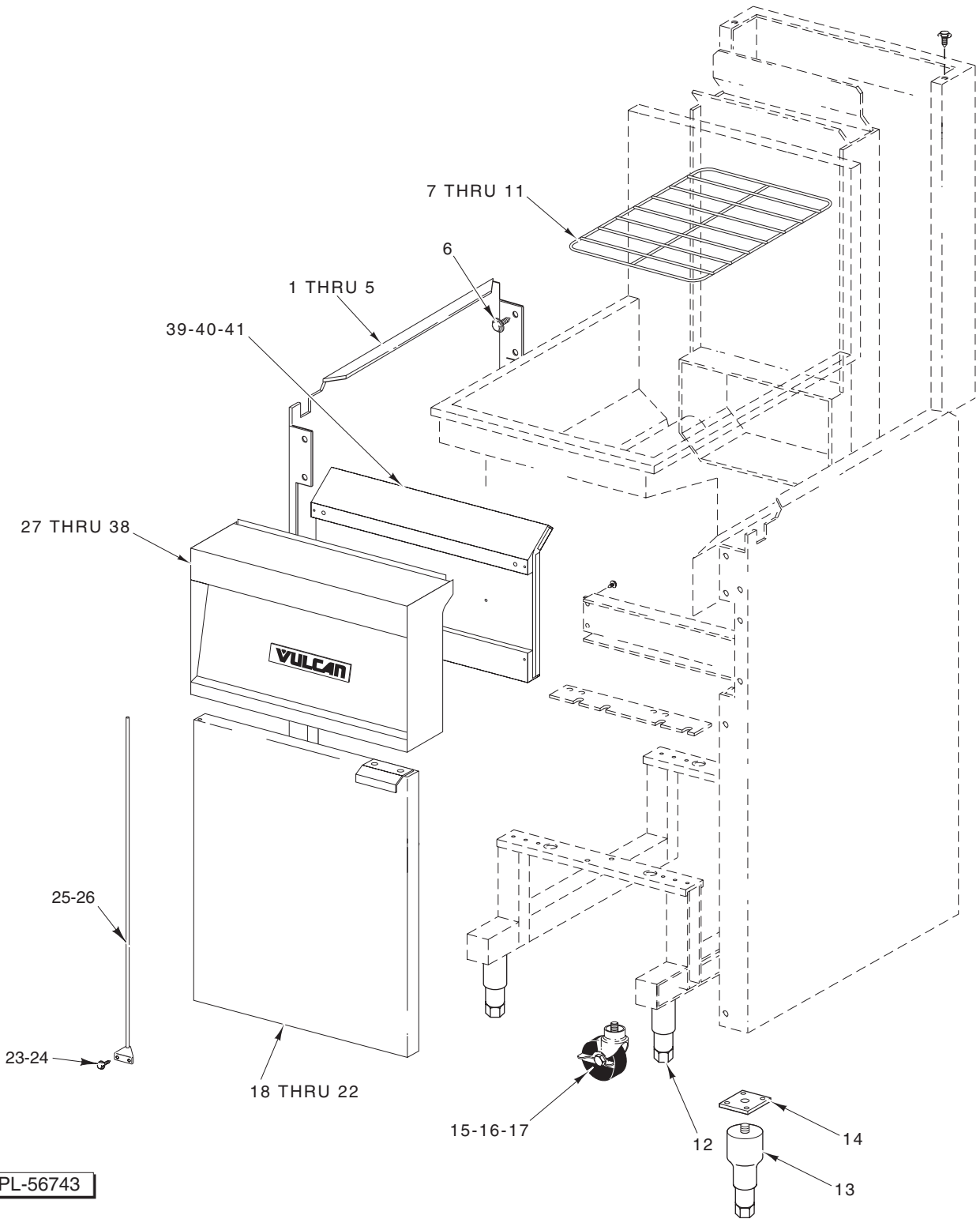


**BODY UNIT**

## BODY UNIT

ILLUS. PL-56472	PART NO.	NAME OF PART	AMT.
1	00-417056-00002	Hanger – Basket (GRC35/45, GRD35/45, & GRS35/45) .....	2
2	00-418321-00002	Hanger – Basket (GRC65, GRD65, & GRS65) .....	2
3	00-410737-00007	Basket – Twin (Red Handle) (GRC35/45, GRD35/45, & GRS35/45) .....	2
4	00-418335-00001	Basket – Twin (Red Handle) (GRC65, GRD65, & GRS65) .....	2
5	00-411378-00002	Basket – Single Dual Handle (GRC35/45, GRD35/45, & GRS35/45) .....	1
6	00-418380-00001	Basket – Single (GRC65, GRD65, & GRS65) .....	1
7	00-427883-00001	Screen – Crumb (GRC35, GRD35, & GRS35) .....	1
8	00-427883-00002	Screen – Crumb (GRC45, GRD45, & GRS45) .....	1
9	00-427883-00003	Screen – Crumb (GRC65, GRD65, & GRS65) .....	1
10	00-416994-000G1	Flue Assy. (3 Tube) (GRC35, GRD35, & GRS35) .....	1
11	00-418201-000G1	Flue Assy. (4 Tube) (GRC45, GRD45, & GRS 45) .....	1
12	00-418205-000G1	Flue Assy. (5 Tube) (GRC65, GRD65, & GRS65) .....	1
13	SD-032-07	Self-Tapping Screw 10-24 x 1/2 Hex Washer Hd., Type TT .....	AR
14	SD-036-83	Self-Tapping Screw 10-24 x 1/2 Hex Washer Hd., Type F .....	AR
15	NS-044-09	Nut Assy. 10-24 KEPS .....	AR
16	SD-036-03	Self-Tapping Screw 8-18 x 3/8 Slotted Hex Washer Hd., Type AB .....	AR
17	SD-037-70	Self-Tapping Screw 1/4-20 x 1/2 Hex Washer Hd., Type TT .....	AR
18	NS-046-52	Nut Assy. 1/4-20 KEPS .....	AR
19	NS-047-79	Locknut Special 3/16 Stud .....	AR
20	00-419648-00001	Body – LH Side (SST) (Non-Filter Ready) (GRC35/45/65, GRD35/45/65, & GRS35/45/65) ....	1
21	00-417711-00001	Body – LH Side (SST) (GRC35/45/55, GRD35/45/65, & GRS35/45/65) .....	1
22	00-427018-000G1	Deflector Assy. (GRC35/45 & GRD35/45) .....	1
23	00-427018-000G2	Deflector Assy. (GRS35/45) .....	1
24	00-427044-000G1	Deflector Assy. (GRC65 & GRD65) .....	1
25	00-427044-000G2	Deflector Assy. (GRS65) .....	1
26	00-416535-00004	Switch – Relay SPDT 24 V. Coil (Electronic Ignition) (Previous Construction) .....	1
27	00-415144-00011	Board – Temperature (GRD Series) (Previous Construction) .....	1
28	00-418573-000G2	Probe – Thermistor (GRD Series) (Previous Construction) .....	1
29	00-418573-000G1	Probe – Thermistor (GRC Series & GR Series) .....	1
30	NS-047-79	Palnut 3/16 .....	2
31	00-417700-00002	Nameplate (6 In.) .....	1
32	00-426502-00001	Hinge – Door, Upper (Open Right) .....	1
33	00-426502-00002	Hinge – Door, Upper (Open Left) .....	1
34	SD-032-07	Self-Tapping Screw 10-24 x 1/2 Hex Washer Hd., Type TT .....	2
35	NS-044-09	Nut Assy. 10-24 Hex KEPS .....	2
*36	00-426562-000G2	Door Assy. (GRC35/45, GRD35/45, & GRS35/45) .....	1
*37	00-426562-000G6	Door Assy. (GRC65, GRD65, & GRS65) .....	1
38	00-419653	Handle – Door .....	1
39	00-418906-00001	Caster – Adjustable Rigid .....	2
40	00-418906-00001	Caster – Adjustable Swivel .....	2
41	00-413112-00007	Leg (6 1/4 In.) (SST) .....	4
42	00-413112-00009	Leg (6 In.) (SST) .....	4
43	00-419580	Bracket – Power Supply Mounting .....	1
44	00-426573-00001	Catch – Magnet .....	5
45	00-419648-00002	Body RH Side (SST) (Non-Filter Ready) (GRC35/45/65, GRD35/45/65, & GRS35/45/65) .....	1
46	00-417711-00002	Body RH Side (SST) (GRC35/45/65, GRD35/45/65, & GRS35/45/65) .....	1
47	SD-032-07	Self-Tapping Screw 10-24 x 1/2 Hex Washer Hd., Type TT .....	2
48	00-417014-00001	Bracket – Rear Support (GRC35/45, GRD35/45, & GRS35/45) .....	1
49	00-418320-00001	Bracket – Rear Support (GRC65, GRD65, & GRS65) .....	1
50	SD-037-70	Self-Tapping Screw 1/4-20 x 1/2 Hex Washer Hd., Type TT .....	4
51	00-416959-00002	Wrap – Flue (3 Tube or 4 Tube) (GRC35/45, GRD35/45, & GRS35/45) .....	1
52	00-418336-00002	Wrap – Flue (5 Tube) (GRC65, GRD65, & GRS65) .....	1
53	SD-032-07	Self-Tapping Screw 10-24 x 1/2 Hex Washer Hd., Type TT .....	2

\*Door Assy. give model and serial number.

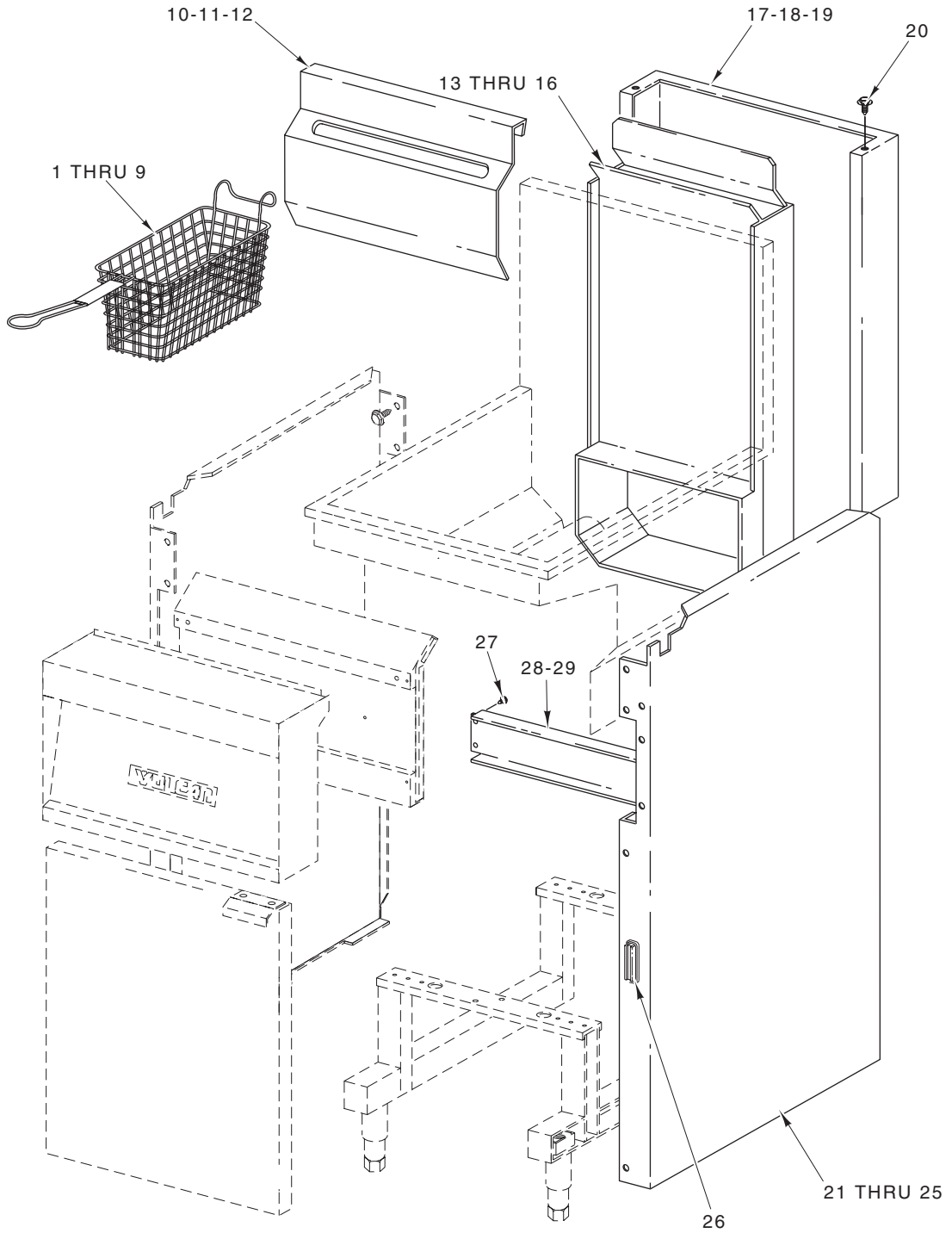


PL-56743

**BODY UNIT - LEFT SIDE AND FRONT  
(GR SERIES)**

### BODY UNIT - LEFT SIDE AND FRONT (GR SERIES)

ILLUS. PL-56743	PART NO.	NAME OF PART	AMT.
1	00-419648-00001	Body – LH Side (GR25/35/45/65) (Non-Filter Ready) .....	1
2	00-417711-00001	Body – LH Side (GR35/45/65) (Filter Ready) .....	1
3	00-419893-00003	Body – LH Side (GR25/35/45/65/85) (Alum.) (4/5/6 Units) .....	1
4	00-420596-00003	Body – LH Side (GR85) .....	1
5	00-419777-00003	Body – LH Side (GR85) .....	1
6	SD-037-70	Self-Tapping Screw 1/4-20 x 1/2 Hex Washer Hd., Type AB .....	AR
7	00-427883-00001	Rack – Crumb (GR35) .....	1
8	00-427883-00002	Rack – Crumb (GR45) .....	1
9	00-427883-00003	Rack – Crumb (GR65) .....	1
10	00-427883-00004	Rack – Crumb (GR85) .....	1
11	00-427883-00005	Rack – Crumb (GR25) .....	1
12	00-413112-00007	Leg (6 1/4 In.) (SST) .....	4
13	00-413112-00009	Leg (6 In.) (SST) .....	4
14	00-413112-00010	Plate – Leg Base (Use With Item 13) .....	4
15	00-418907-00001	Caster – Adjustable (Swivel) .....	2
16	00-421893-00001	Caster – Plate Mount (4 In.) .....	2
17	00-421893-00002	Caster (4 In.) (W/O Brake) .....	2
18	00-426562-000G9	Door Assy. (SST) (GR25) .....	1
19	00-426562-000G8	Door Assy. (SST) (GR35/45) (Non-Filter Ready) .....	1
20	00-426562-000G2	Door Assy. (SST) (GR35/45) (Filter Ready) .....	1
21	00-426562-000G7	Door Assy. (SST) (GR65/85) (Non-Filter Ready) .....	1
22	00-426562-000G6	Door Assy. (SST) (GR65/85) (Filter Ready) .....	1
23	SD-032-07	Self-Tapping Screw 10-24 x 1/2 Hex Washer Hd., Type TT .....	2
24	NS-044-09	Nut Assy. 10-24 Hex KEPS .....	2
25	00-428023-000G1	Hinge Assy. .....	1
26	00-428023-000G2	Hinge Assy. .....	1
27	00-428116-000G8	Frame – Front Assy. (GR25) (1 Unit) .....	AR
28	00-428116-000G9	Frame – Front Assy. (GR25) (2 Unit) .....	AR
29	00-428116-000G10	Frame – Front Assy. (GR25) (3 Unit) .....	AR
30	00-428116-000G11	Frame – Front Assy. (GR25) (4 Unit) .....	AR
31	00-428116-000G1	Frame – Front Assy. (GR35/45) (1 Unit) .....	AR
32	00-428116-000G3	Frame – Front Assy. (GR35/45) (2 Unit) .....	AR
33	00-428116-000G5	Frame – Front Assy. (GR35/45) (3 Unit) .....	AR
34	00-428116-000G7	Frame – Front Assy. (GR35/45) (4 Unit) .....	AR
35	00-428116-000G2	Frame – Front Assy. (GR65/85) (1 Unit) .....	AR
36	00-428116-000G4	Frame – Front Assy. (GR65/85) (2 Unit) .....	AR
37	00-428116-000G6	Frame – Front Assy. (GR65/85) (3 Unit) .....	AR
38	00-417700-00002	Nameplate (6 In.) .....	1
39	00-418324-000G1	Heat Shield (GR65/85) .....	1
40	00-418379-000G1	Heat Shield (GR35/45) .....	1
41	00-428156-000G1	Heat Shield (GR25) .....	1

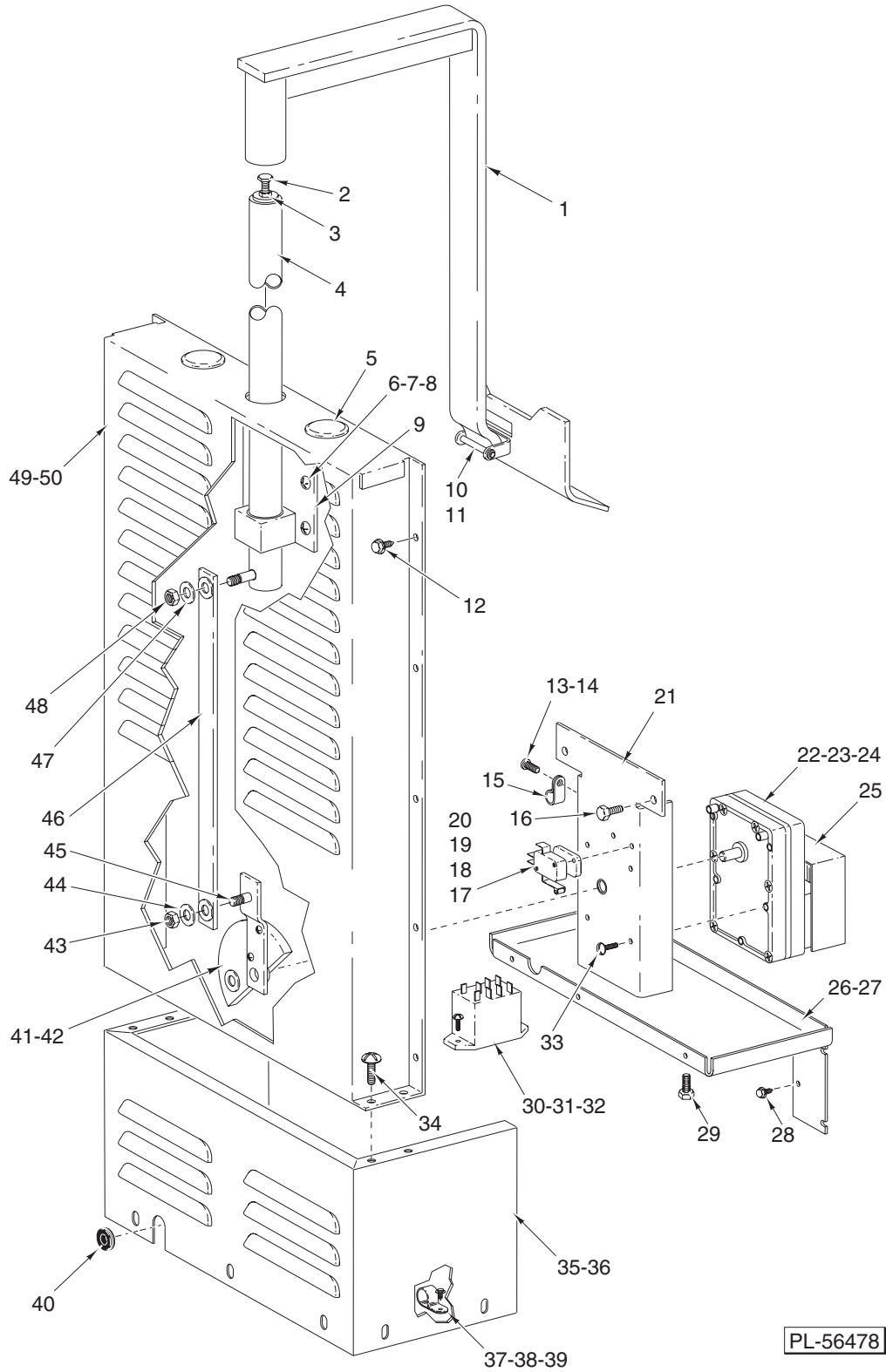


PL-56744

**BODY UNIT - RIGHT SIDE AND BACK  
(GR SERIES)**

**BODY UNIT - RIGHT SIDE AND BACK  
(GR SERIES)**

ILLUS.	PART NO.	NAME OF PART	AMT.
PL-56744			
1	00-410737-00007	Basket – Twin (Red Handle) (GR35/45) .....	AR
2	00-421465-00002	Basket – Twin (GR25) .....	1
3	00-418335-00001	Basket – Twin (Red Handle) (GR65) .....	AR
4	00-420580-00001	Basket – Twin (Red Handle) (GR85) .....	AR
5	00-411378-00002	Basket – Large Single (Full Vat) (GR35/45) .....	AR
6	00-418380-00001	Basket – Single (GR65) .....	AR
7	00-410737-00006	Basket – Triple (Red Handle) (GR65) .....	1
8	00-420581-00001	Basket – Single (GR85) .....	1
9	00-410737-00008	Basket – Triple (Red Handle) (GR85) .....	1
10	00-417056-00002	Hanger – Basket (GR35/45) .....	1
11	00-420642-00001	Hanger – Basket (GR25) .....	1
12	00-418321-00002	Hanger – Basket (GR65/85) .....	1
13	00-416994-000G1	Flue Assy. (GR35) .....	1
14	00-420689-000G1	Flue Assy. (GR25) .....	1
15	00-418201-000G1	Flue Assy. (GR45) .....	1
16	00-418205-000G1	Flue Assy. (GR65/85) .....	1
17	00-416959-00002	Wrap – Flue (GR25/35/45) .....	1
18	00-420644-00002	Wrap – Flue (GR25) .....	1
19	00-418336-00002	Wrap – Flue (GR65/85) .....	1
20	SD-032-07	Self-Tapping Screw 10-24 x 1/2 Hex Washer Hd., Type TT .....	AR
21	00-419648-00002	Body – RH Side (GR25/35/45/65) (Non-Filter Ready) .....	1
22	00-417711-00002	Body – RH Side (GR35/45/65) (Filter Ready) .....	1
23	00-419893-00004	Body – RH Side (GR25/35/45/65) (Alum.) (4/5/6 Units) .....	1
24	00-420596-00004	Body – RH Side (GR85) .....	1
25	00-419777-00004	Body – RH Side (GR85) .....	1
26	00-426573-00001	Catch – Magnetic .....	1
27	SD-032-07	Self-Tapping Screw 10-24 x 1/2 Hex Washer Hd., Type TT .....	AR
28	00-417014-00001	Bracket – Rear Support (GR35/45) (15.5 In.) (Filter Ready) .....	1
29	00-418320-00001	Bracket – Rear Support (GR65/85) (Filter Ready) .....	1

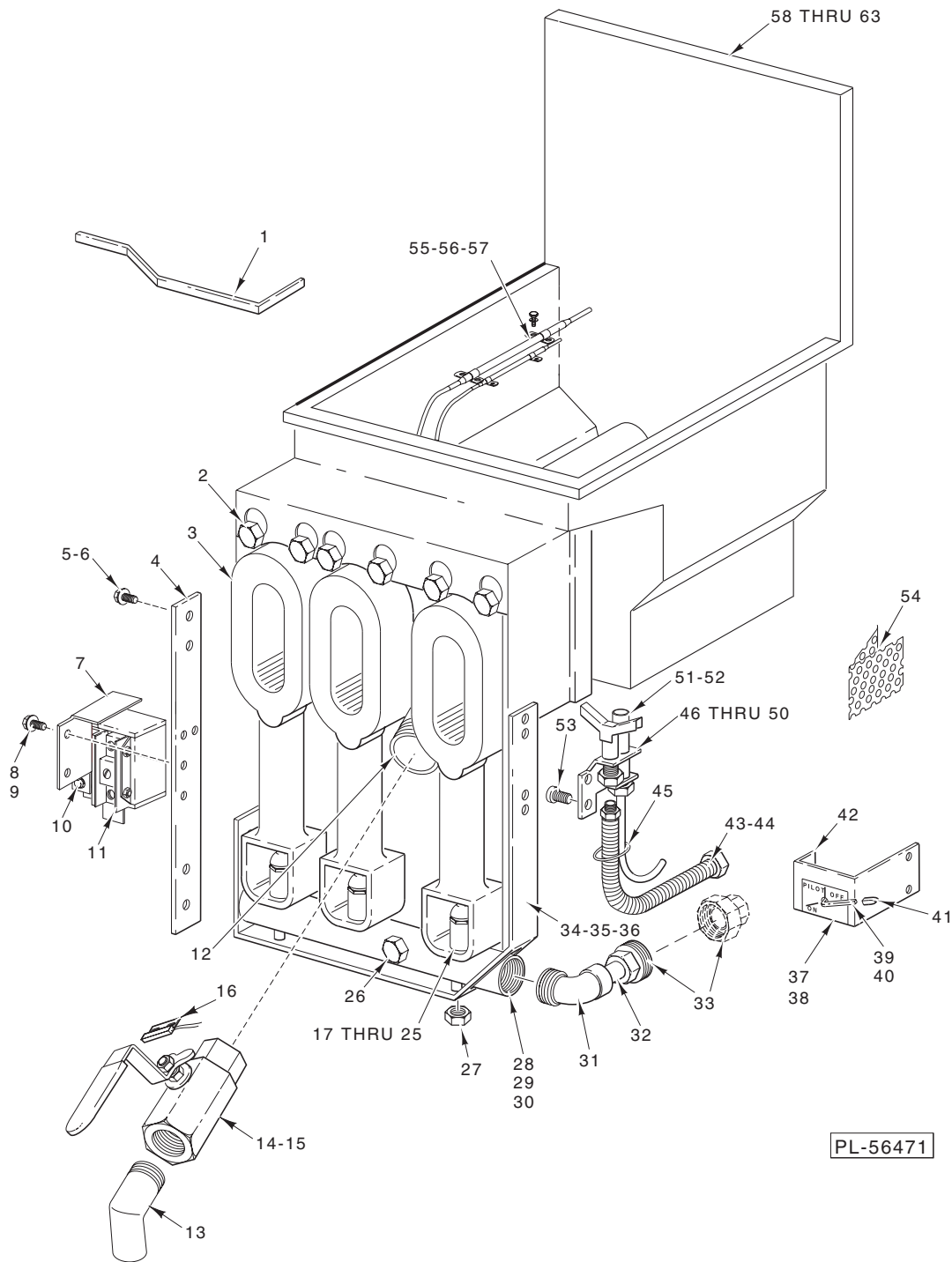


PL-56478

**BASKETLIFT COMPONENTS**

## BASKETLIFT COMPONENTS

ILLUS.	PART NO.	NAME OF PART	AMT.
	PL-56478		
1	00-418474-000G1	Arm – Basket Assy. (Incls. Items 10 & 11) .....	1
2	00-418118-00001	Bolt – Adjusting .....	1
3	NS-018-01	Jam Nut 1/4-20 Hex (SST) .....	1
4	00-418479-000G1	Tube – Basketlift .....	1
5	PB-004-04	Plug Button 1 1/4 (Single Unit) .....	2
6	SD-032-07	Self-Tapping Screw 10-24 x 1/2 Hex Washer Hd., Type TT .....	2
7	WS-004-33	Washer .....	6
8	NS-047-03	Jam Nut 5/8-18 Hex (SST) .....	6
9	00-418478-000G1	Bearing Support Assy. ....	1
10	00-418487-00001	Roller .....	1
11	00-418488	Pin – Roller .....	1
12	SD-036-03	Self-Tapping Screw 8-18 x 3/8 Slotted Hex Washer Hd., Type AB .....	10
13	SC-109-10	Mach. Screw 6-32 x 3/8 Slotted Pan Hd. (SST) .....	1
14	NS-009-07	Mach. Nut 6-32 Hex .....	1
15	00-078752-00012	Clamp – Cable 3/8 P .....	1
16	SC-037-80	Cap Screw 10-24 x 1/2 Hex Hd. ....	8
17	00-418159-00001	Block – Cam Switch .....	1
18	00-411496-000F3	Microswitch .....	1
19	SC-112-90	Mach. Screw 4-40 x 1 Slotted Pan Hd. ....	2
20	NS-009-02	Mach. Nut 4-40 Hex .....	2
21	00-418123-000G1	Plate – Motor .....	1
22	00-418156-00001	Gear – Motor (115 V., 60 Hz.) .....	1
23	00-418156-00002	Gear – Motor (230 V., 50/60 Hz.) .....	1
24	00-418156-00003	Gear – Motor (208 V., 50/60 Hz.) .....	1
25	00-418517-00001	Shroud – Motor .....	1
26	00-418484-00001	Base – Motor Mounting (GRC35/45, GRD35/45, & GRS35/45) .....	1
27	00-418513-00001	Base – Motor Mounting (GRC65, GRD65, & GRS65) .....	1
28	SD-032-07	Self-Tapping Screw 10-24 x 1/2 Hex Washer Hd., Type TT .....	2
29	SC-037-80	Cap Screw 10-24 x 1/2 Hex Hd. ....	2
30	00-416535-00004	Switch – Relay SPDT 24 V. Coil (Electronic Ignition) .....	1
31	SC-109-10	Mach. Screw 6-32 x 3/8 Slotted Pan Hd. (SST) .....	3
32	NS-009-07	Mach. Nut 6-32 Hex .....	3
33	SC-018-47	Mach. Screw 10-32 x 3/4 Slotted Pan Hd. ....	4
34	SD-036-03	Self-Tapping Screw 8-18 x 3/8 Slotted Hex Washer Hd., Type AB .....	4
35	00-418480-00001	Wrap – Bottom (GRC35/45, GRD35/45, & GRS35/45) .....	1
36	00-418510-00001	Wrap – Bottom (GRC65, GRD65, & GRS65) .....	1
37	00-078752-00012	Clamp 3/8 P .....	1
38	SC-109-10	Mach. Screw 6-32 x 3/8 Slotted Pan Hd. (SST) .....	1
39	NS-009-07	Mach. Nut Hex 6-32 .....	1
40	00-418482-00001	Grommet .....	1
41	00-418475-000G1	Crank – Arm Assy. (Incls. Items 42 & 43) .....	1
42	SC-055-02	Set Screw 1/4-20 x 1/4 Hdls., Cup Pt. (SST) .....	2
43	NS-047-73	Lock Nut 5/16-18 Hex .....	1
44	WS-004-33	Washer .....	1
45	SD-015-41	Self-Tapping Screw 8-32 x 1/2 Phil. Pan Hd. ....	2
46	00-418477-000G1	Coupler Assy. ....	1
47	WS-004-33	Washer .....	1
48	NS-047-73	Lock Nut 5/16-18 Hex .....	1
49	00-418481-00001	Wrap – Top (GRC35/45, GRD35/45, & GRS35/45) .....	1
50	00-418511-00001	Wrap – Top (GRC65, GRD65, & GRS65) .....	1



**BURNER COMPONENTS AND TANK**

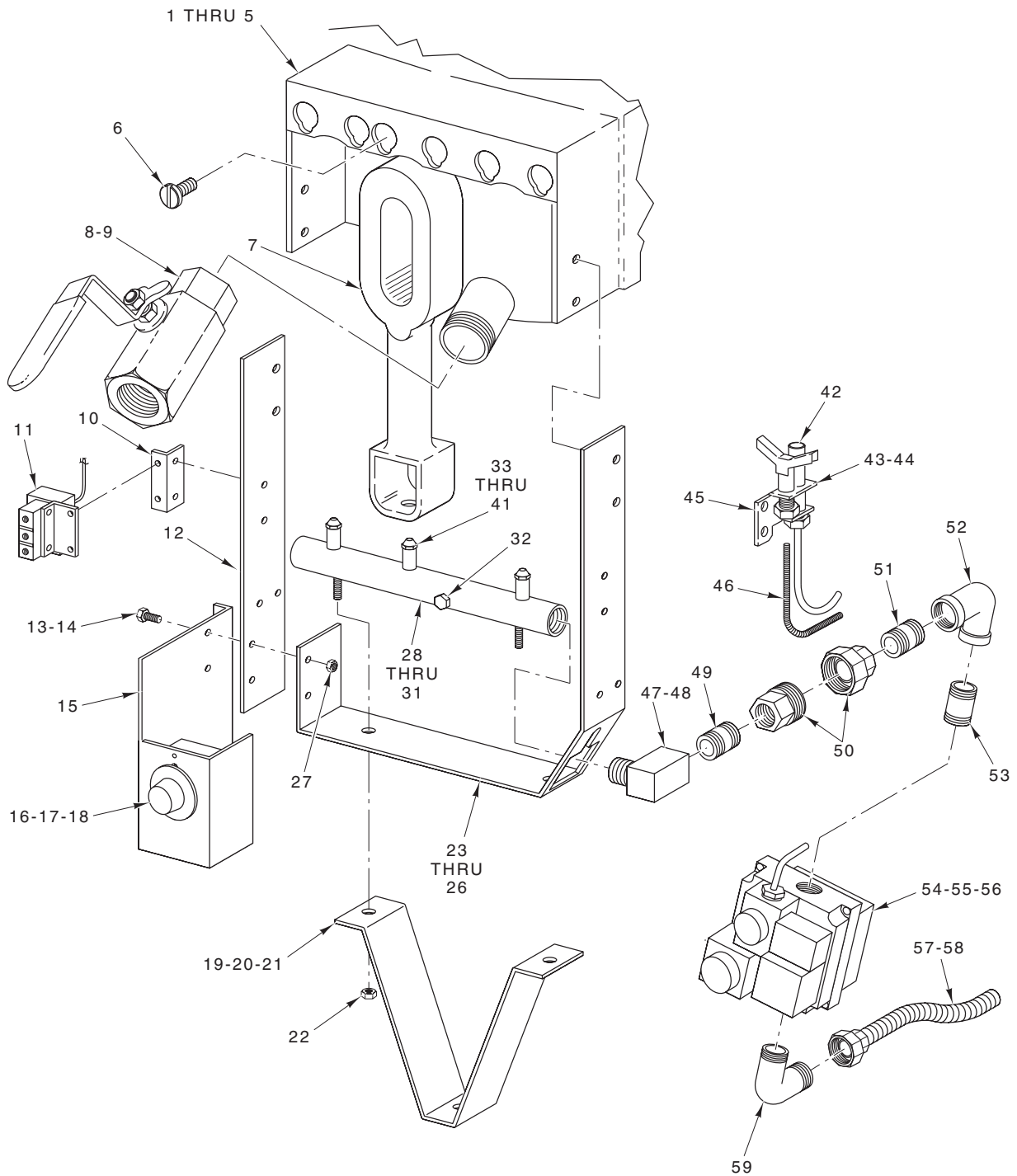
ILLUS.	PART NO.	NAME OF PART	AMT.
	PL-56471		
1	00-409300-00005	Rod – Clean-Out .....	1
2	SC-062-07	Cap Screw <sup>5</sup> / <sub>16</sub> -18 x 1/2 Hex Hd. ....	AR
3	00-410681-00001	Burner .....	AR
4	00-417714-00001	Extension – Hanger .....	1
5	SD-037-23	Self-Tapping Screw <sup>5</sup> / <sub>16</sub> -18 x 1/2 Hex Washer Hd., Type T .....	4
6	NS-013-14	Nut <sup>5</sup> / <sub>16</sub> -18 Hex .....	4
7	00-419548	Bracket – High Limit .....	1
8	SD-015-24	Self-Tapping Screw 1/4-20 x 1/2 Hex Washer Hd., Type TT .....	2
9	NS-044-14	Nut 1/4-20 Hex .....	2

## BURNER COMPONENTS AND TANK (Cont.)

ILLUS. PL-56471	PART NO.	NAME OF PART	AMT.
10	SD-036-80	Self-Tapping Screw 8-32 x 3/8 Hex Washer Hd., Type TT .....	2
11	00-419670-00002	Control – Limit with Stuffing Box .....	1
12	00-418191-00001	Nipple – Drain .....	1
13	00-421339-00001	Drain Extension .....	1
14	00-414212-00008	Valve – Ball .....	1
15	00-426803-000G1	Valve (Double Filter) (GRC & GRD Series) .....	1
16	00-426805-000G1	Switch Assy. (Drain Valve Interlock) (Current Construction) .....	1
17	00-010901-00039	Orifice – Spud (Nat. Gas) (Sea Level – 2000 Ft.) .....	AR
18	00-010901-00041	Orifice – Spud (Nat. Gas) (2000 – 3000 Ft.) .....	AR
19	00-010901-00042	Orifice – Spud (Nat. Gas) (3000 – 5000 Ft.) .....	AR
20	00-010901-00043	Orifice – Spud (Nat. Gas) (5000 – 7000 Ft.) .....	AR
21	00-010901-00044	Orifice – Spud (Nat. Gas) (7000 – 8000 Ft.) .....	AR
22	00-010901-00052	Orifice – Spud (L.P. Gas) (Sea Level – 3000 Ft.) .....	AR
23	00-010901-00053	Orifice – Spud (L.P. Gas) (3000 – 5000 Ft.) .....	AR
24	00-010901-00054	Orifice – Spud (L.P. Gas) (5000 – 8000 Ft.) .....	AR
25	00-410695-00001	Extension – Orifice .....	AR
26	FP-085-53	Pipe Plug 1/8 (SST) .....	1
27	NS-047-72	Lock Nut 1/4-20 Flexloc .....	2
28	00-418209-00001	Manifold – Burner (3 Tube) .....	1
29	00-418212-00001	Manifold – Burner (4 Tube) .....	1
30	00-418318-00001	Manifold – Burner (5 Tube) .....	1
31	FP-086-74	Elbow – Pipe 1/2 x 90 Deg. ....	1
32	FP-035-94	Pipe 1/2 x 1 1/2 Lg. TBE .....	1
33	FP-022-11	Union – Pipe .....	AR
34	00-418208-00001	Hanger – Manifold (3 Tube) .....	1
35	00-418211-00001	Hanger – Manifold (4 Tube) .....	1
36	00-418317-00001	Hanger – Manifold (5 Tube) .....	1
37	00-417896-00001	Plate – Control Valve (W/Pilot P) .....	1
38	00-417896-00002	Plate – Control Valve (W/O Pilot P) .....	1
39	00-413433-00005	Handle – Combo Valve .....	1
40	PC-003-24	Cotter Pin 1/16 x 1 1/2 .....	1
41	00-418452-00001	Cap (Red) .....	1
42	00-418553	Bracket – Control .....	1
43	00-418558-00001	Tube – Pilot Flex 1/4 O.D. x 10 In. (Previous Construction) .....	1
44	00-426505-00012	Tube – Flex 1/2 O.D. x 12 In. Lg. (Current Construction) .....	1
45	00-411631-00001	Cable Tie .....	1
46	00-412212-00001	Pilot (Nat. Gas) (Previous Construction) .....	1
47	00-412212-00007	Pilot (Nat. & Mixed) (Current Construction) .....	1
48	00-412212-00002	Pilot (L.P. Gas) .....	1
49	00-419316-00001	Pilot (Nat. Gas) (W/Electronic Ignition) .....	1
50	00-419316-00002	Pilot (L.P. Gas) (W/Electronic Ignition) .....	1
51	00-410839-00004	Thermopile (GRS – No Other Option) (GR – Millivolt Control) .....	1
52	00-410839-00001	Thermopile W/Manual Ignition (GRC & GRD Series) .....	1
53	SC-018-32	Mach. Screw 8-32 x 3/8 Slotted Pan Hd. ....	2
54	00-419871-00001	Baffle Assy. ....	1
55	00-402558-00006	Clamp .....	2
56	00-417522-00001	Clip – Capillary .....	2
57	SD-035-02	Self-Tapping Screw 8-18 x 3/8 Hex Washer Hd., Type AB .....	4
*58	00-416942-000G5	Tank Assy. (3 Tube) (SST) (GRC35, GRD35, & GRS35) (Previous Construction) .....	1
*59	00-418192-000G2	Tank Assy. (4 Tube) (SST) (GRC45, GRD45, & GRS45) (Previous Construction) .....	1
*60	00-408196-000G2	Tank Assy. (5 Tube) (SST) (GRC65, GRD65, & GRS65) (Previous Construction) .....	1
61	00-416942-00G10	Tank Assy. (3 Tube) (SST) (GRD35, GRC35) (Current Construction) .....	1
62	00-418192-000G5	Tank Assy. (4 Tube) (SST) GRD45, GRC45) (Current Construction) .....	1
63	00-418196-000G5	Tank Assy. (5 Tube) (SST) (GRD65, GRC65) (Current Construction) .....	1

\*For replacement tanks on fryers built before June 2002, the following parts must be ordered with the above listed appropriate tank:

00-427952-00001	Bracket – Mounting .....	1
SD-32-07	Self-Tapping Screw 10-24 x 1/2 Hex Washer Hd., Type TT .....	1
00-426505-00012	Tube – Pilot .....	1
00-405569-00003	Fitting – Compression .....	1
FP-047-35	Fitting – Tube 1/4 .....	1
FP-047-34	Fitting – Tube 1/4 .....	1
Appropriate Pilot Assy.		

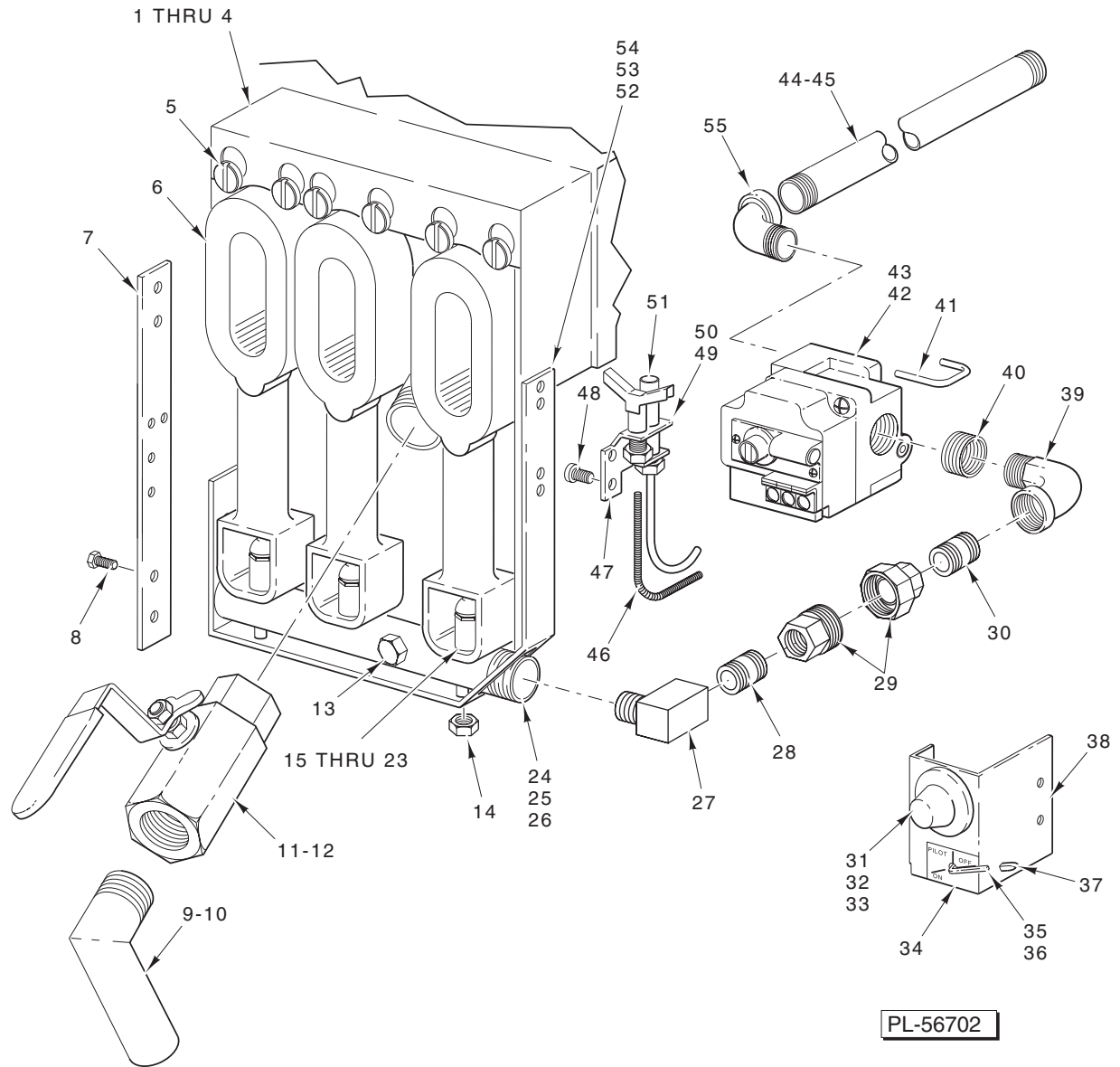


PL-56683

**BURNER COMPONENTS AND GAS MANIFOLD  
(GR SERIES) (NON-FILTER-READY UNITS)**

## BURNER COMPONENTS AND GAS MANIFOLD (GR SERIES) (NON-FILTER-READY UNITS)

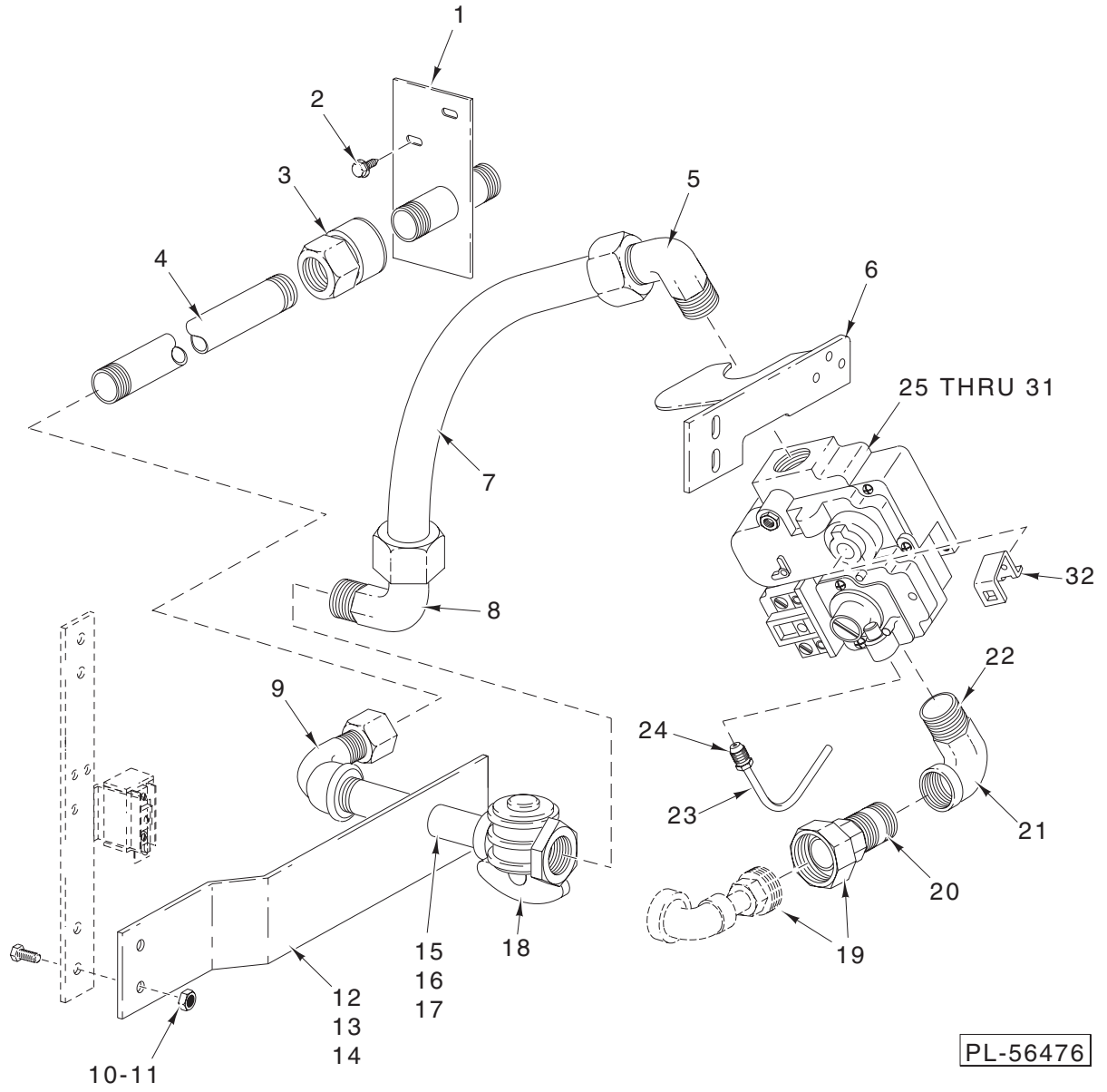
ILLUS. PL-56683	PART NO.	NAME OF PART	AMT.
1	00-420621-000G3	Tank Assy. (GR25) (SST) .....	1
2	00-416942-000G9	Tank Assy. (GR35) (SST) .....	1
3	00-418192-000G6	Tank Assy. (GR45) (SST) .....	1
4	00-418196-000G6	Tank Assy. (GR65) (SST) .....	1
5	00-419620-000G4	Tank Assy. (GR85) (SST) .....	1
6	00-428035-00001	Bolt – Shoulder .....	AR
7	00-410681-00001	Burner .....	AR
8	00-427903-00001	Valve – Ball 1 In. (GR25/35/45/65) .....	1
9	00-414212-00006	Valve – Ball 1 1/4 In. (GR85) .....	1
10	00-419548	Bracket – Thermostat Control (GR25) .....	1
11	00-419670-00002	Thermostat – Hi-Limit (W/Stuff Box) .....	1
12	00-417714-00001	Hanger – Manifold Extension .....	1
13	SD-015-24	Self-Tapping Screw 1/4-20 x 1/2 Hex Washer Hd., Type TT (GR25) .....	6
14	SD-037-70	Self-Tapping Screw 1/4-20 x 1/2 Hex Washer Hd., Type TT (GR35/45/65/85) .....	2
15	00-419613	Bracket – Control (GR35/45/65/85) .....	1
16	00-408659-00005	Knob – Thermostat .....	1
17	00-419999-00001	Thermostat (GR35/45/65/85) .....	1
18	00-408659-00007	Knob – Thermostat (Celsius) .....	1
19	00-420635-00001	Bracket – Support (GR25) .....	1
20	00-420561-00001	Bracket – Support (GR35/45) .....	1
21	00-420562-00001	Bracket – Support (GR65/85) .....	1
22	NS-047-72	Lock Nut 1/4-20 Hex .....	2
23	00-420634-00001	Hanger – Manifold (GR25) .....	1
24	00-418208-00001	Hanger – Manifold (GR35) .....	1
25	00-418211-00001	Hanger – Manifold (GR45) .....	1
26	00-418317-00001	Hanger – Manifold (GR65/85) .....	1
27	NS-046-52	Nut .....	6
28	00-420630-00001	Manifold (GR25) .....	1
29	00-416999-00001	Manifold (GR35) .....	1
30	00-418212-00001	Manifold (GR45) .....	1
31	00-418318-00001	Manifold (GR65/85) .....	1
32	FP-085-53	Pipe Plug 1/8 NPT .....	1
33	00-010901-00039	Orifice – Spud (Nat. Gas) (Sea Level – 2000 Ft.) .....	AR
34	00-010901-00041	Orifice – Spud (Nat. Gas) (2000 – 3000 Ft.) .....	AR
35	00-010901-00042	Orifice – Spud (Nat. Gas) (3000 – 5000 Ft.) .....	AR
36	00-010901-00043	Orifice – Spud (Nat. Gas) (5000 – 7000 Ft.) .....	AR
37	00-010901-00044	Orifice – Spud (Nat. Gas) (7000 – 8000 Ft.) .....	AR
38	00-010901-00052	Orifice – Spud (L.P. Gas) (Sea Level – 3000 Ft.) .....	AR
39	00-010901-00053	Orifice – Spud (L.P. Gas) (3000 – 5000 Ft.) .....	AR
40	00-010901-00054	Orifice – Spud (L.P. Gas) (5000 – 8000 Ft.) .....	AR
41	00-410695-00001	Extension – Orifice .....	AR
42	00-410839-00004	Thermopile .....	1
43	00-412212-00007	Pilot (Nat. Gas) .....	1
44	00-412212-00002	Pilot (L.P. Gas) .....	1
45	00-427952-00001	Bracket – Pilot Mounting .....	1
46	00-426505-00023	Tube – Pilot (23 In.) .....	1
47	FP-086-74	Elbow 90 Deg. (GR25/45/65/85) .....	1
48	FP-077-68	Elbow 1/2 x 1/2 x 90 Deg. (GR35) .....	1
49	FP-035-94	Pipe 1/2 x 1 1/2 TBE .....	1
50	FP-022-11	Union 1/2 .....	1
51	FP-035-94	Pipe 1/2 x 1 1/2 TBE .....	1
52	FP-077-68	Elbow 1/2 x 1/2 x 90 Deg. .....	1
53	FP-035-95	Pipe 1/2 x 2 TBE .....	1
54	00-410841-00022	Valve – Combination (Nat. Gas) .....	1
55	00-410841-00023	Valve – Combination (L.P. Gas) .....	1
56	00-412593-00001	Tube – Vent .....	1
57	00-427882-000G1	Tube – Gas Inlet (GR25/35/45/65) .....	1
58	00-427882-000G2	Tube – Gas Inlet (GR85) .....	1
59	FP-013-17	Fitting – Elbow 90 Deg. (Street) .....	1



**BURNER COMPONENTS AND GAS MANIFOLD  
(GR SERIES) (FILTER-READY UNITS)**

## BURNER COMPONENTS AND GAS MANIFOLD (GR SERIES) (FILTER-READY UNITS)

ILLUS. PL-56702	PART NO.	NAME OF PART	AMT.
1	00-416942-00G10	Tank Assy. (GR35) .....	1
2	00-418192-000G5	Tank Assy. (GR45) .....	1
3	00-418196-000G5	Tank Assy. (GR65) .....	1
4	00-419620-000G3	Tank Assy. (GR85) .....	1
5	00-428035	Bolt – Shoulder .....	AR
6	00-410681-00001	Burner .....	AR
7	00-417714-00001	Extension – Hanger .....	1
8	SD-037-70	Self-Tapping Screw 1/4-20 x 1/2 Hex Washer Hd., Type TT .....	AR
9	00-421860-000G1	Drain Extension (GR35/45/65) .....	1
10	00-421334-000G1	Drain Extension (GR85) .....	1
11	00-427903-00001	Valve – Ball 1 In. (GR35/45/65) .....	1
12	00-414212-00006	Valve – Ball 1 1/4 In.(GR35) .....	1
13	FP-085-53	Pipe – Plug 1/8 .....	1
14	NS-047-72	Lock Nut 1/4-20 .....	2
15	00-010901-00039	Orifice – Spud (Nat. Gas) (Sea Level – 2000 Ft.) .....	AR
16	00-010901-00041	Orifice – Spud (Nat. Gas) (2000 – 3000 Ft.) .....	AR
17	00-010901-00042	Orifice – Spud (Nat. Gas) (3000 – 5000 Ft.) .....	AR
18	00-010901-00043	Orifice – Spud (Nat. Gas) (5000 – 7000 Ft.) .....	AR
19	00-010901-00044	Orifice – Spud (Nat. Gas) (7000 – 8000 Ft.) .....	AR
20	00-010901-00052	Orifice – Spud (L.P. Gas) (Sea Level – 3000 Ft.) .....	AR
21	00-010901-00053	Orifice – Spud (L.P. Gas) (3000 – 5000 Ft.) .....	AR
22	00-010901-00054	Orifice – Spud (L.P. Gas) (5000 – 8000 Ft.) .....	AR
23	00-410695-00001	Extension – Orifice .....	AR
24	00-418209-00001	Manifold – Burner (GR35) .....	1
25	00-418212-00001	Manifold – Burner (GR45) .....	1
26	00-418318-00001	Manifold – Burner (GR65/85) .....	1
27	FP-086-74	Elbow – Pipe 1/2 x 90 Deg. ....	1
28	FP-035-94	Pipe 1/2 x 1 1/2 Lg. TBE .....	1
29	FP-022-11	Union – Pipe .....	1
30	FP-035-94	Pipe 1/2 x 1 1/2 Lg. TBE .....	1
31	00-408659-00005	Knob – Thermostat .....	AR
32	SC-109-10	Mach Screw 6-32 x 3/8 Pan Hd. ....	AR
33	00-419999-00001	Thermostat .....	AR
34	00-417896-00001	Plate – Control Valve .....	1
35	00-413433-00006	Handle – Combo Valve .....	1
36	PC-003-24	Cotter Pin 1/16 .....	1
37	00-418452-00001	Cover – Combo Valve Handle (Red) (35/45/65) .....	1
38	00-418207-00001	Bracket – Control .....	1
39	FP-077-68	Elbow – Pipe 1/2 x 90 Deg. ....	1
40	FP-035-95	Pipe 1/2 x 2 Lg. TBE .....	1
41	00-412593-00001	Tube – Vent .....	1
42	00-410841-00022	Valve – Combination (Nat. Gas) .....	1
43	00-410841-00023	Valve – Combination (L.P. Gas) .....	1
44	FP-080-43	Pipe 1/2 x 15 Lg. TBE .....	1
45	FP-035-93	Pipe 1/2 x 19 1/2 Lg. TBE .....	1
46	00-426505-00012	Tube – Pilot (12 In.) .....	1
47	00-427952-00001	Bracket – Pilot Mounting .....	1
48	SC-018-32	Mach Screw 8-32 x 3/8 Pan Hd. ....	2
49	00-412212-00007	Pilot (Nat. Gas) .....	1
50	00-412212-00002	Pilot (L.P. Gas) .....	1
51	00-410839-00004	Thermopile .....	1
52	00-418208-00001	Hanger – Manifold (GR35) .....	1
53	00-418211-00001	Hanger – Manifold (GR45) .....	1
54	00-418317-00001	Hanger – Manifold (GR65/85) .....	1
55	FP-086-74	Elbow – Pipe 1/2 x 90 Deg. ....	1



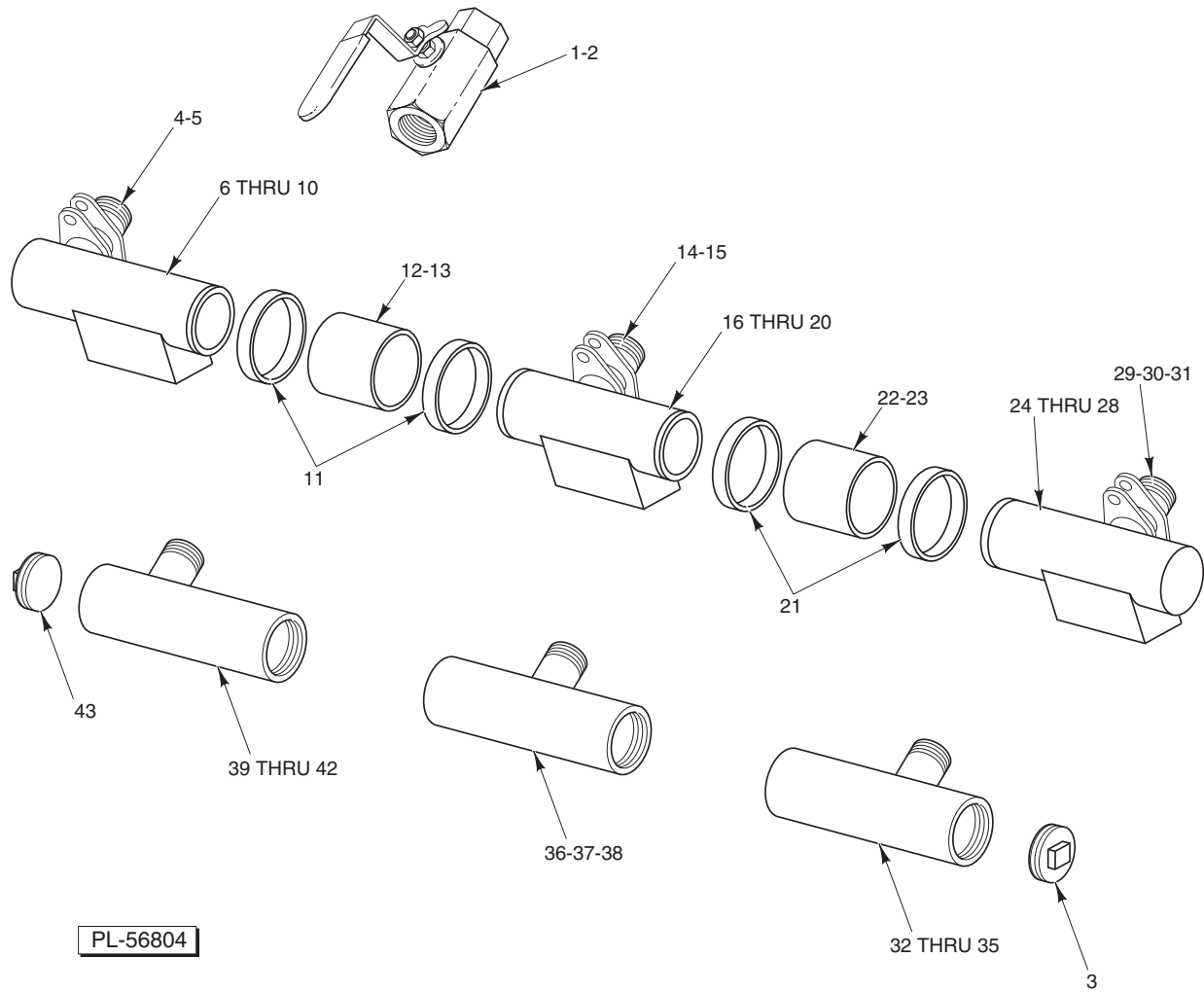
PL-56476

**GAS INLET MANIFOLD**

## GAS INLET MANIFOLD

ILLUS.	PART NO.	NAME OF PART	AMT.
PL-56476			
1	00-418538-000G1	Bracket – Gas Inlet Mounting Assy. ....	1
2	SD-032-07	Self-Tapping Screw 10-24 x 1/2 Hex Washer Hd., Type TT .....	1
3	FP-012-39	Connector – Female 5/8 TBG x 1/2 FPT (Brass) .....	1
4	00-418561-00001	Tube – Gas .....	1
5	FP-012-07	Elbow – Male 5/8 TBG x 1/2 MPT (Brass) .....	2
6	00-418128	Bracket – Combo Valve .....	1
7	00-418559	Tube – Gas Combo/Solenoid Valve .....	1
8	FP-012-07	Elbow – Male 5/8 TBG x 1/2 MPT (Brass) .....	1
9	FP-086-20	Elbow – 90 Deg. Female 5/8 TBG x 1/2 FPT (Brass) .....	1
10	NS-044-14	Nut 1/4-20 Hex KEPS .....	2
11	WS-004-33	Washer .....	2
12	00-418129	Bracket – Solenoid Assy. (3 Tube) .....	1
13	00-418130	Bracket – Solenoid Assy. (4 Tube) .....	1
14	00-418129	Bracket – Solenoid Assy. (5 Tube) .....	1
15	FP-067-04	Nipple – Pipe 1/2 x 1.875 (Use With Item 12) .....	1
16	FP-079-25	Nipple – Pipe 1/2 x 3.250 (Use With Item 13) .....	1
17	FP-087-08	Nipple – Pipe 1/2 x 7.375 (Use With Item 14) .....	1
18	00-408604-00003	Valve – Gas Shutoff .....	1
19	FP-022-11	Union – Pipe 1/2 .....	1
20	FP-035-91	Nipple – Pipe 1/2 x 1.125 .....	1
21	FP-077-68	Elbow – 1/2 x 90 Deg. ....	1
22	FP-035-94	Nipple – Pipe 3/8 x 1.500 .....	1
23	00-412593-00001	Tube – Vent .....	1
24	00-418059-00001	Sleeve 1/8 In. Hex Hd. ....	1
*25	00-412080-00001	Bracket – Adapter .....	1
26	00-410841-00022	Valve – Combination (Nat. Gas) (Use W/Manual Ignition) (GRS & GR Series) .....	1
27	00-410841-00023	Valve – Combination (L.P. Gas) (Use W/Manual Ignition) (GRS & GR Series) .....	1
28	00-410841-00028	Valve – Combination (Nat. Gas) (Use W/Electronic Ignition) .....	1
29	00-410841-00029	Valve – Combination (L.P. Gas) (Use W/Electronic Ignition) .....	1
30	00-410841-00030	Valve – Combination (Nat. Gas) (Use W/Manual Ignition & Fat Melt Cycle) .....	1
31	00-410841-00031	Valve – Combination (L.P. Gas) (Use W/Manual Ignition & Fat Melt Cycle) .....	1
32	00-412080-00001	Adapter – Knob (Use Existing Screw Provided With Knob) .....	1

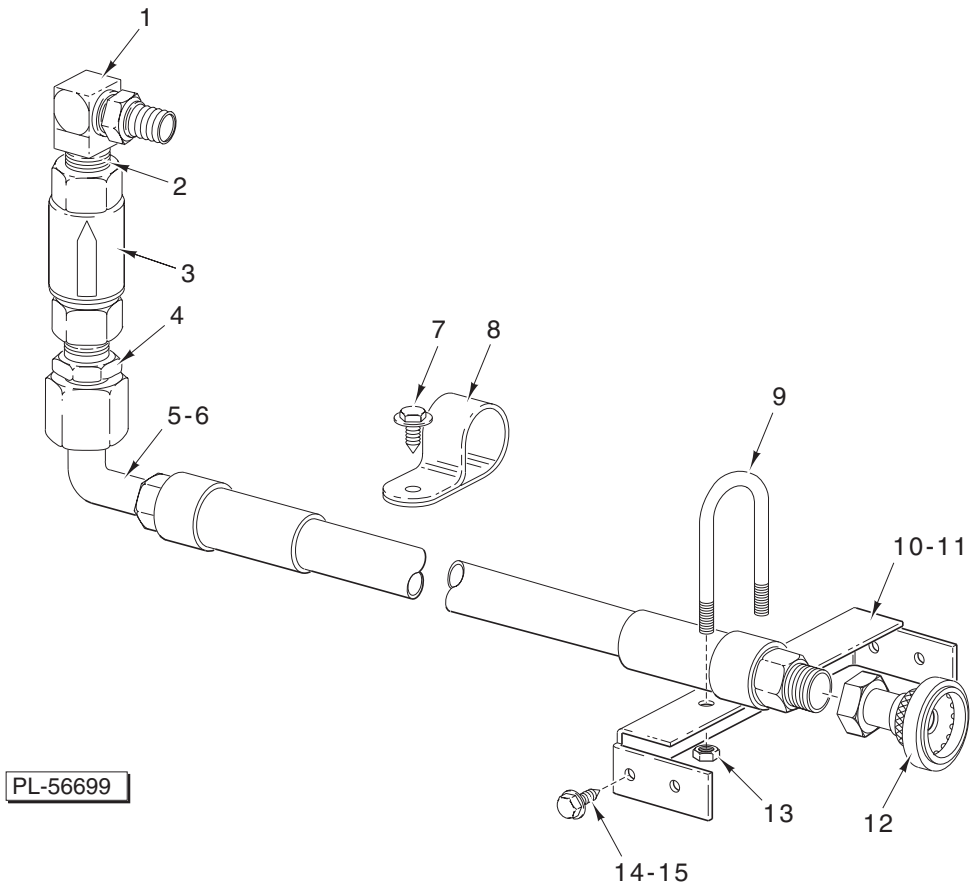
\* See PIPS Service Obligation Report 10/20/00.



**DRAIN COMPONENTS**

## DRAIN COMPONENTS

ILLUS.	PART NO.	NAME OF PART	AMT.
	PL-56804		
1	00-414212-00008	Valve Assy. (GRS35/45/65, GRD35/45/65, & GRC35/45/65)	1
2	00-414212-00006	Valve Assy. (GR85)	1
3	FP-028-21	Plug – Pipe 1 Sq. Hd.	AR
4	00-420555-00001	Flange – Pipe	AR
5	00-420553-00002	Gasket – Silicone	AR
6	00-419886-000G1	Elbow – Filter Fill (LH) (3 Tube)	AR
7	00-419886-000G3	Elbow – Filter Fill (LH) (4 Tube)	AR
8	00-419886-000G7	Elbow – Filter Fill (LH) (3 & 4 Tube W/Dump)	AR
9	00-420729-000G1	Elbow – Filter Fill (LH) (5 Tube)	AR
10	00-420729-000G2	Elbow – Filter Fill (LH) (5 Tube W/Dump)	AR
11	00-416174-00002	Hose Clamp	AR
12	00-419351-00001	Hose – Connecting	AR
13	00-416266-00002	Shield – Sleeve	AR
14	00-420726-00001	Flange – Pipe	AR
15	00-420553-00002	Gasket – Silicone	AR
16	00-419890-000G1	Center Drain Assy. (3 Tube)	AR
17	00-419890-000G2	Center Drain Assy. (4 Tube)	AR
18	00-419890-000G4	Center Drain Assy. (3 & 4 Tube W/Dump)	AR
19	00-420728-000G1	Center Drain Assy. (5 Tube)	AR
20	00-420728-000G2	Center Drain Assy. (5 Tube W/Dump)	AR
21	00-416174-00002	Hose Clamp	AR
22	00-419351-00001	Hose – Connecting	AR
23	00-416266-00002	Shield – Sleeve	AR
24	00-419886-000G2	Elbow – Filter Fill (RH) (3 Tube)	AR
25	00-419886-000G4	Elbow – Filter Fill (RH) (4 Tube)	AR
26	00-419886-000G8	Elbow – Filter Fill (RH) (3 & 4 Tube W/Dump)	AR
27	00-420729-000G3	Elbow – Filter Fill (RH) (5 Tube)	AR
28	00-420729-000G4	Elbow – Filter Fill (RH) (5 Tube W/Dump)	AR
29	00-420726-00001	Flange – Pipe	AR
30	00-420553-00002	Gasket – Silicone	AR
31	FP-059-52	Pipe 1 <sup>1</sup> / <sub>4</sub> x 3.00	AR
32	00-420732-000G4	End Drain Assy. (3 Tube)	AR
33	00-420732-000G6	End Drain Assy. (3 Tube W/Dump)	AR
34	00-420732-000G5	End Drain Assy. (4 Tube)	AR
35	00-420732-000G1	End Drain Assy. (RH) (5 Tube)	AR
36	00-420730-000G3	Pipe – Center Drain (3 Tube)	AR
37	00-420730-000G2	Pipe – Center Drain (4 Tube)	AR
38	00-420730-000G1	Pipe – Center Drain (5 Tube)	AR
39	00-420732-000G4	End Drain Assy. (3 Tube)	AR
40	00-420732-000G6	End Drain Assy. (3 Tube W/Dump)	AR
41	00-420732-000G5	End Drain Assy. (4 Tube)	AR
42	00-420732-000G3	End Drain Assy. (LH) (5 Tube)	AR
43	FP-028-21	Plug – Pipe 1 Sq. Hd.	AR



**OIL RETURN AND ACCESSORIES**

## OIL RETURN AND ACCESSORIES

ILLUS.	PART NO.	NAME OF PART	AMT.
1	00-419251-00001	Elbow – 1/2 NPTF Male Swivel .....	1
2	FP-035-91	Pipe 1/2 x 1 1/8 TBE .....	1
3	00-418786-00001	Valve – Check (Ball Cone) .....	1
4	00-419211-00001	Adapter (Pipe to Flare) .....	1
5	00-418966-00001	Oil Return Line (GR35/45/65) .....	1
6	00-418966-00002	Oil Return Line (GR85) .....	1
7	SD-032-07	Self-Tapping Screw 10-24 x 1/2 Hex Washer Hd., Type TT .....	2
8	00-078752-00003	Clamp – Cable .....	2
9	00-521820	U-Bolt 1/4-20 .....	1
10	00-417892-00001	Bracket – Oil Return (GR35/45) .....	1
11	00-418359-00001	Bracket – Oil Return (GR65/85) .....	1
12	00-418791-000G1	Quick Disconnect Assy. ....	1
13	NS-046-52	Nut 1/4-20 Hex KEPS .....	2
14	SD-032-07	Self-Tapping Screw 10-24 x 1/2 Hex Washer Hd., Type TT .....	4
15	NS-044-09	Nut Assy. 10-24 Hex KEPS .....	4
	00-410682-00004	Hose – Flex 3/4 x 4 Ft. (Gas) (Accessory) .....	1
	00-410682-00005	Hose – Flex 3/4 x 5 Ft. (Gas) (Accessory) .....	1
	00-410682-00006	Disconnect – Quick (3/4) (Gas) (Accessory) .....	1
	00-410682-00009	Disconnect – Quick (1 1/4) (Gas) (Accessory) .....	1
	00-410682-00008	Hose – Flex 1 1/4 x 5 Ft. (Gas) (Accessory) .....	1
	00-410682-00007	Hose – Flex 1 1/4 x 4 Ft. (Gas) (Accessory) .....	1
	00-414848-000G6	Vat Cover Assy. (GR25) (Accessory) .....	1
	00-414848-000G2	Vat Cover Assy. (GR35/45) (Accessory) .....	1
	00-418360-000G1	Vat Cover Assy. (GR65/85) (Accessory) .....	1
	00-418360-000G3	Vat Cover Assy. (GR85) (Accessory) .....	1
	00-416936-00002	Handle (Vat Cover Assy.) (Accessory) .....	1
	00-418346-00001	Cord – Electrical 120 V. (GR35/45/65) (Accessory) .....	1

