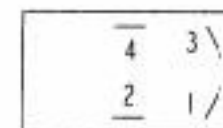


C1 - CAPACITOR, MAIN FAN
 C2 - CAPACITOR, CONVEYOR MOTOR
 ECM1 - CONTROL, OVEN
 EXM-ACMD - CONTROL, CONVEYOR MOTOR
 F1, F2 - FUSE, MOTOR & CONTROLS
 F3-F5 - FUSE, IR, BOTTOM
 F6-F8 - FUSE, IR, TOP
 H1-H3 - HEATER, CIRCULAR, 2000W

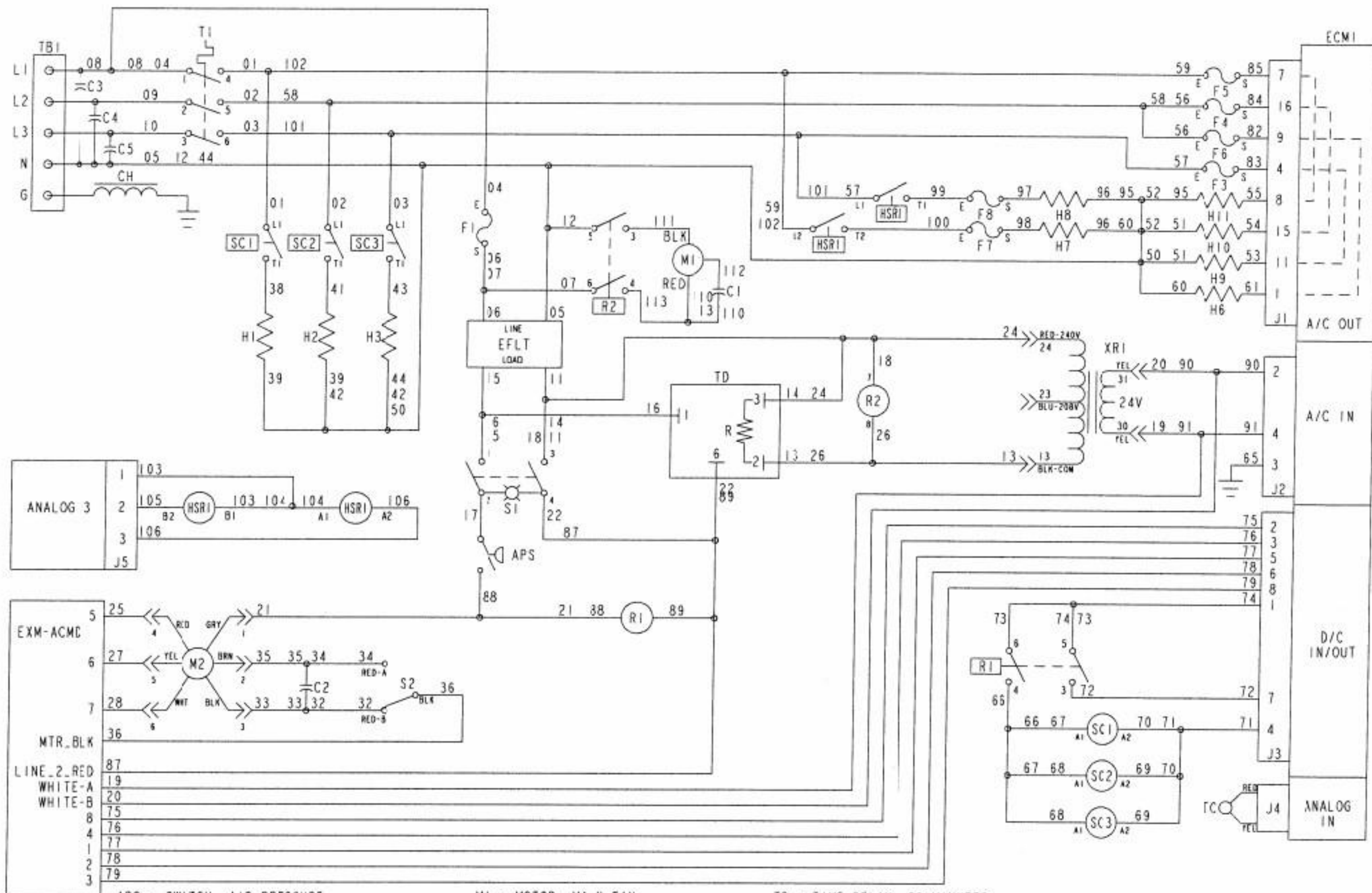
H6-H8 - HEATER, INFRARED, UPPER, 1500W
 H9-H11 - HEATER, INFRARED, LOWER, 1500W
 HSR1 - RELAY, 2 POLE SOLID STATE
 M1 - MOTOR, MAIN FAN
 M2 - MOTOR, CONVEYOR
 R1 - RELAY, SSR/SWITCH SOLID STATE DETECT
 R2 - RELAY, MAIN FAN
 R5 - RELAY, MAIN POWER
 S1 - SWITCH, MAIN

S2 - SWITCH, CONVEYOR REVERSING
 SC1-SC3 - SSR, MAIN HEATER
 T1 - THERMOSTAT, OVEN HIGH LIMIT
 TC - THERMOCOUPLE, TYPE K
 TD - TIME DELAY, 30 MINUTES
 XR1 - TRANSFORMER, CONTROL



SI CONFIGURATION, REAR VIEW

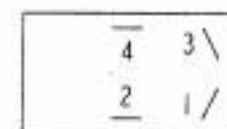
DTF-8/16/18
DOMESTIC



APS - SWITCH, AIR PRESSURE
 C1 - CAPACITOR, MAIN FAN
 C2 - CAPACITOR, CONVEYOR MOTOR
 C3,C4,C5 - CAPACITOR, NOISE SUPPRESSION
 CH - COIL, NOISE SUPPRESSION
 ECMI - CONTROL, OVEN
 EFLT - FILTER, LINE
 F1,F3-F8 - FUSE, MOTOR, HEATERS & CONTROLS
 H1-H3 - HEATER, MAIN
 H6-H11 - HEATER, IR
 HSR1 - RELAY, 2 POLE SOLID STATE

MI - MOTOR, MAIN FAN
 M2 - MOTOR, CONVEYOR
 EXM-ACMD - CONTROL, CONVEYOR MOTOR
 R1 - RELAY, MAIN HEATER
 R2 - RELAY, MAIN FAN
 S1 - SWITCH, MAIN
 S2 - SWITCH, CONVEYOR REVERSING
 SC1,SC2,SC3 - RELAY, SOLID STATE
 T1 - THERMOSTAT, OVEN HIGH LIMIT
 TBI - TERMINAL BLOCK, MAIN POWER
 TC - THERMOCOUPLE, TYPE K

TD - TIME DELAY, 30 MINUTES
 XRI - TRANSFORMER, CONTROL



SI CONFIGURATION REAR VIEW