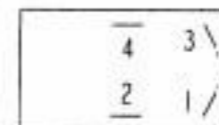


- C1 - CAPACITOR, MAIN FAN
- C2 - CAPACITOR, CONVEYOR MOTOR
- ECM1 - CONTROL, OVEN
- EXM-ACMD - CONTROL, CONVEYOR MOTOR
- F1, F2 - FUSE, MOTOR & CONTROLS
- F3-F5 - FUSE, IR, BOTTOM
- F6-F8 - FUSE, IR, TOP
- H1-H3 - HEATER, CIRCULAR, 2000W

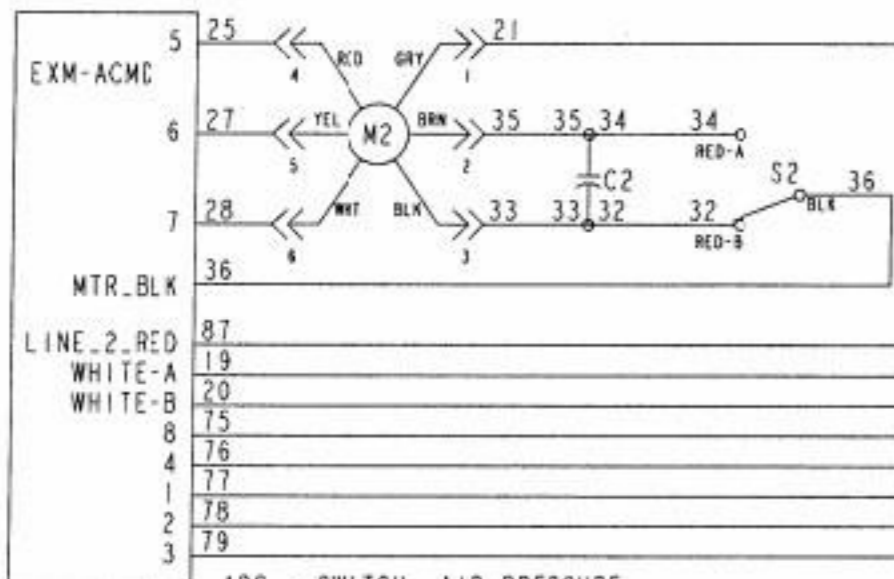
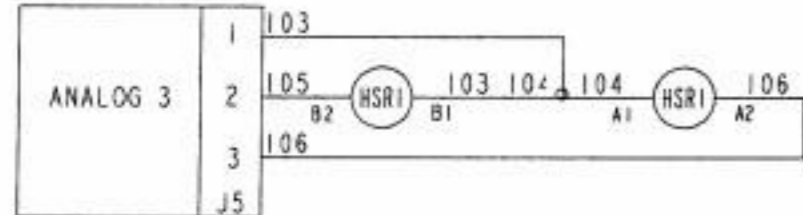
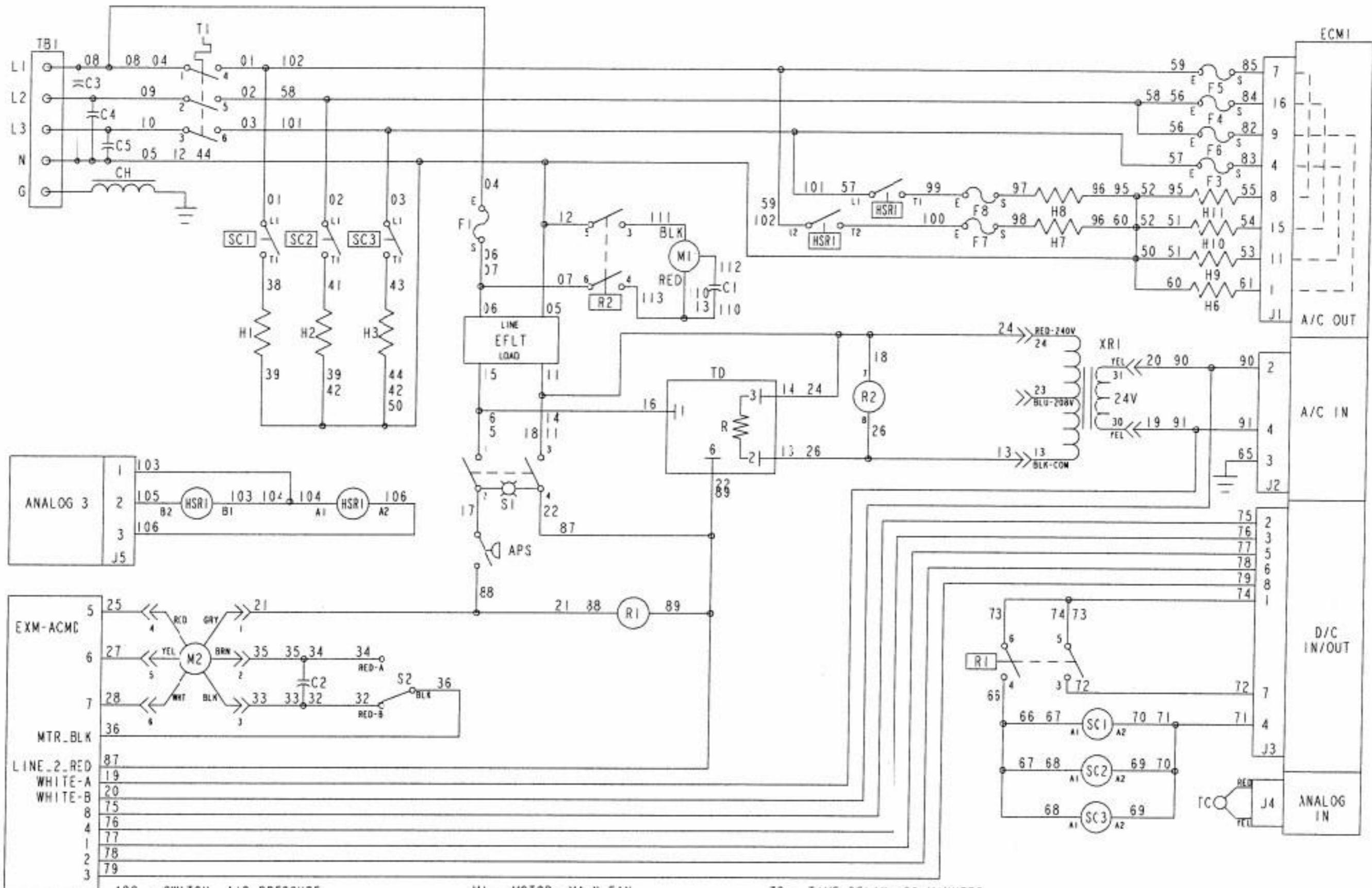
- H6-H8 - HEATER, INFRARED, UPPER, 1500W
- H9-H11 - HEATER, INFRARED, LOWER, 1500W
- HSR1 - RELAY, 2 POLE SOLID STATE
- M1 - MOTOR, MAIN FAN
- M2 - MOTOR, CONVEYOR
- R1 - RELAY, SSR/SWITCH SOLID STATE DETECT
- R2 - RELAY, MAIN FAN
- R5 - RELAY, MAIN POWER
- S1 - SWITCH, MAIN

- S2 - SWITCH, CONVEYOR REVERSING
- SC1-SC3 - SSR, MAIN HEATER
- T1 - THERMOSTAT, OVEN HIGH LIMIT
- TC - THERMOCOUPLE, TYPE K
- TD - TIME DELAY, 30 MINUTES
- XR1 - TRANSFORMER, CONTROL



S1 CONFIGURATION, REAR VIEW

DTF-8/16/18
DOMESTIC



APS - SWITCH, AIR PRESSURE
 C1 - CAPACITOR, MAIN FAN
 C2 - CAPACITOR, CONVEYOR MOTOR
 C3, C4, C5 - CAPACITOR, NOISE SUPPRESSION
 CH - COIL, NOISE SUPPRESSION
 ECMI - CONTROL, OVEN
 EFLT - FILTER, LINE
 F1, F3-F8 - FUSE, MOTOR, HEATERS & CONTROLS
 H1-H3 - HEATER, MAIN
 H6-H11 - HEATER, IR
 HSRI - RELAY, 2 POLE SOLID STATE

M1 - MOTOR, MAIN FAN
 M2 - MOTOR, CONVEYOR
 EXM-ACMD - CONTROL, CONVEYOR MOTOR
 R1 - RELAY, MAIN HEATER
 R2 - RELAY, MAIN FAN
 S1 - SWITCH, MAIN
 S2 - SWITCH, CONVEYOR REVERSING
 SC1, SC2, SC3 - RELAY, SOLID STATE
 T1 - THERMOSTAT, OVEN HIGH LIMIT
 TBI - TERMINAL BLOCK, MAIN POWER
 TC - THERMOCOUPLE, TYPE K

TD - TIME DELAY, 30 MINUTES
 XRI - TRANSFORMER, CONTROL

