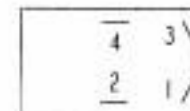


C1 - CAPACITOR, MAIN FAN
 C2 - CAPACITOR, CONVEYOR MOTOR
 ECM1 - CONTROL, OVEN
 EXM-ACMD - CONTROL, CONVEYOR MOTCR
 F1, F2 - FUSE, MOTOR & CONTROLS
 F3-F5 - FUSE, IR, BOTTOM
 F6-F8 - FUSE, IR, TOP
 H1-H3 - HEATER, CIRCULAR, 2000W

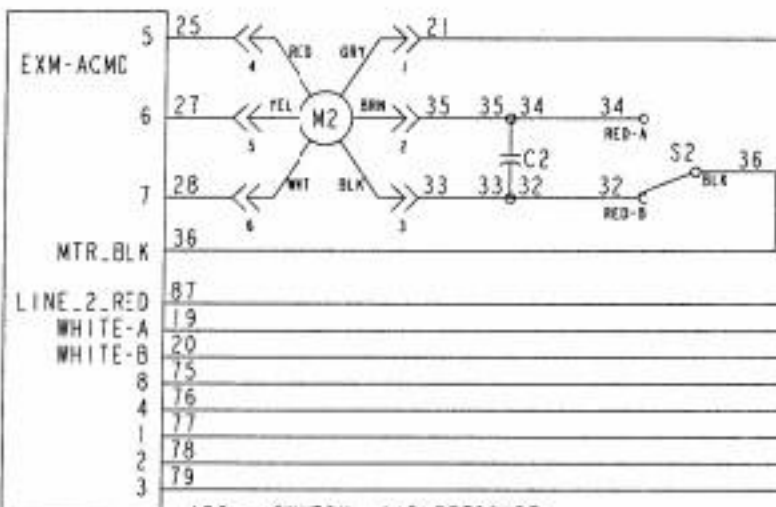
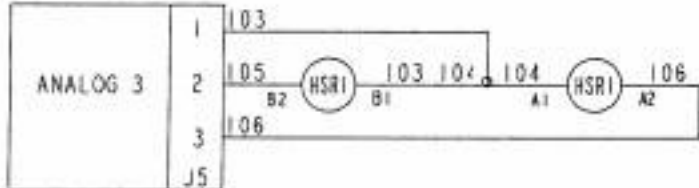
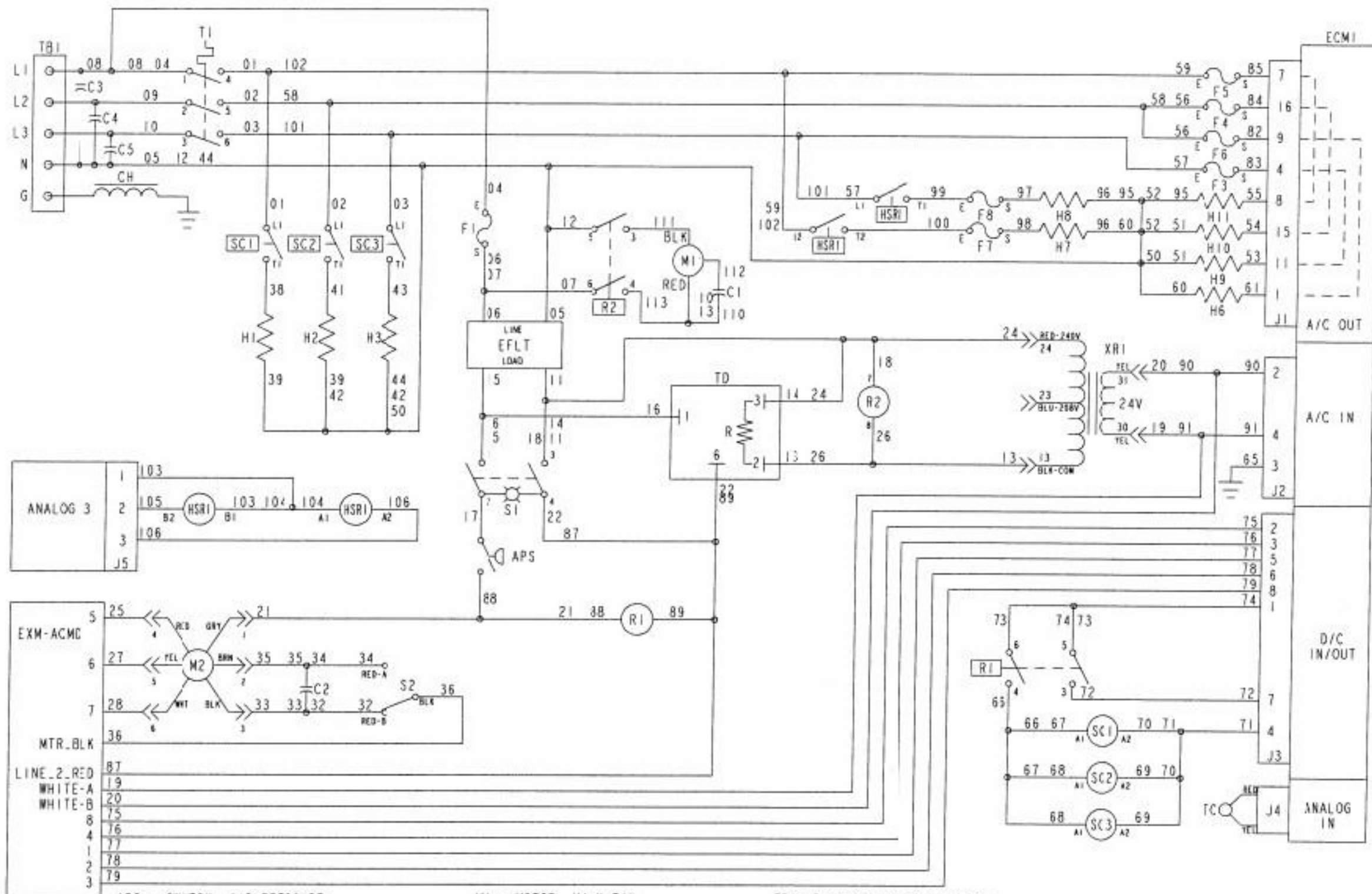
H6-H8 - HEATER, INFRARED, UPPER, 1500W
 H9-H11 - HEATER, INFRARED, LOWER, 1500W
 HSR1 - RELAY, 2 POLE SOLID STATE
 M1 - MOTOR, MAIN FAN
 M2 - MOTOR, CONVEYOR
 R1 - RELAY, SSR/SWITCH SOLID STATE DETECT
 R2 - RELAY, MAIN FAN
 R5 - RELAY, MAIN POWER
 S1 - SWITCH, MAIN

S2 - SWITCH, CONVEYOR REVERSING
 SC1-SC3 - SSR, MAIN HEATER
 T1 - THERMOSTAT, OVEN HIGH LIMIT
 TC - THERMOCOUPLE, TYPE K
 TD - TIME DELAY, 30 MINUTES
 XR1 - TRANSFORMER, CONTROL



S1 CONFIGURATION, REAR VIEW

DTF-8/16/18
DOMESTIC



- APS - SWITCH, AIR PRESSURE
- C1 - CAPACITOR, MAIN FAN
- C2 - CAPACITOR, CONVEYOR MOTOR
- C3,C4,C5 - CAPACITOR, NOISE SUPPRESSION
- CH - COIL, NOISE SUPPRESSION
- ECMI - CONTROL, OVEN
- EFLT - FILTER, LINE
- F1,F3-F8 - FUSE, MOTOR, HEATERS & CONTROLS
- H1-H3 - HEATER, MAIN
- H6-H11 - HEATER, IR
- HSRI - RELAY, 2 POLE SOLID STATE
- M1 - MOTOR, MAIN FAN
- M2 - MOTOR, CONVEYOR
- EXM-ACMD - CONTROL, CONVEYOR MOTOR
- R1 - RELAY, MAIN HEATER
- R2 - RELAY, MAIN FAN
- S1 - SWITCH, MAIN
- S2 - SWITCH, CONVEYOR REVERSING
- SC1,SC2,SC3 - RELAY, SOLID STATE
- T1 - THERMOSTAT, OVEN HIGH LIMIT
- TBI - TERMINAL BLOCK, MAIN POWER
- TC - THERMOCOUPLE, TYPE K
- TD - TIME DELAY, 30 MINUTES
- XRI - TRANSFORMER, CONTROL

